

DO

HEATING

DESIGNER RADIATORS & TOWEL RAILS

All prices shown include VAT

Vol.11 | August 2020

Front cover image:

Cube Vertical shown in Antique Pink RAL 3014 with Essential Corner TRV in Chrome

Inside front cover image:

Cavell shown in Copper Lacquer with Essential Angled Valves in Chrome

All prices shown include VAT



Sunlight bursting through the trees in Thetford Forest.



Distribution Hub

ABOUT US

DQ Heating has been established in the heating industry for over 20 years and is one of the leading suppliers of designer radiators, towel rails and heating accessories in the UK. Our distribution hub & factory is based in the heart of the Thetford Forest in Norfolk, which is the largest lowland pine forest in Britain. Because DQ is family owned and run, we pride ourselves on offering a personal service. Whether you're making an enquiry, have a technical query, placing an order or have a return, we don't like to make things harder than they need to be – our dedicated customer care team is always happy to help.

We aim to bring the best selection of designer radiators and towel rails from across the globe to meet your exact requirements at competitive prices. We have over 40,000 stock products in our warehouse that are all available on a next working day delivery service, if ordered before 15:00, and many more that can be quickly supplied in the exact finish you require.

We have a state-of-the-art powder coating facility installed at our factory and with a large range of our product portfolio finished in house, we now have even more control over the quality of the products we supply. This means we also have an even wider selection of our designer radiators and towel rails available in an unlimited array of colours and finishes for you to choose from. However, if you cannot find the colour you require, just contact us and we can find you an alternative.



Our state-of-the art pre-wash cleans all products before powder coating.



We can powder coat large or small volumes with ease.



All products have to pass stringent quality control checks without compromise.

The DQ Pricelist is also available through EQ Software – the market-leading kitchen, bedroom and bathroom industry management software.



INDUSTRY PARTNER

CONTENTS

All prices shown include VAT



DESIGNER COLLECTION

Mild Steel	
Vulcano Vertical	4 - 5
Vulcano Horizontal	6 - 7
Cube Vertical	8 - 9
Cube Horizontal	10 - 11
Tornado Vertical	12 - 13
Tornado Horizontal	14 - 15
Tao	16 - 17
Cove Vertical	18 - 19
Cove Horizontal	20 - 21
Cove Mirror	22 - 23
Cassius Vertical	24 - 25
Cassius Horizontal	26 - 27
Drifter	28 - 29
Bosun	30 - 31

Aluminium	
Ruvo	32 - 33
Vela	34 - 35

Stainless Steel	
Denali •NEW•	36 - 37
Dune	38 - 39
Delta	40 - 41
Cove Stainless Vertical	42 - 43
Cove Stainless Horizontal	44 - 45

CAST IRON RADIATORS

Cast Iron	
2 Column Cast Iron	46 - 47
4 Column Cast Iron	48 - 49
6 Column Cast Iron	50 - 51
Bronte	52 - 53
Loxley	54 - 55

COLUMN RADIATOR COLLECTION

Mild Steel	
Modus	56 - 61
Peta	62 - 67
Adara	68 - 71
Bench	72 - 73

TRENCH HEATING

Trench Heating	74 - 75
----------------	---------

ELECTRIC HEATING COLLECTION

Vela Electric	76 - 77
Peta Electric	78 - 79

BATHROOM COLLECTION

Mild Steel	
Tesoro	80 - 81
Stalia	82 - 83
Oakham	84 - 85
Fender	86 - 87
Vulcano T	88 - 89
Cube T	90 - 91
Tornado T	92 - 93
Metro	94 - 95
Orion	96 - 97
Cove TR	98 - 99

Stainless Steel	
Austen •NEW•	100 - 101
Rosa •NEW•	102 - 103
Cavell •NEW•	104 - 105
Jango	106 - 107
Rebo	108 - 109
Mahana	110 - 111
Koha	112 - 113
Cove STR	114 - 115
Liana	116 - 117
Siena	118 - 119
Zante	120 - 121

ESSENTIAL TRADITIONAL COLLECTION

Mild Steel	
Twyford / Newbury	122 - 123
Hungerford / Eastbury	124 - 125
Lambourne / Sandhurst	126 - 127

LUXURY HANDMADE TRADITIONAL COLLECTION

Brass	
Ashill / Ickburgh	128 - 129
Elveden / Methwold	130 - 131
Croxton / Lynford	132 - 133
Hockwold / Cranwich / Hilborough	134 - 135
Old Buckenham	136 - 137

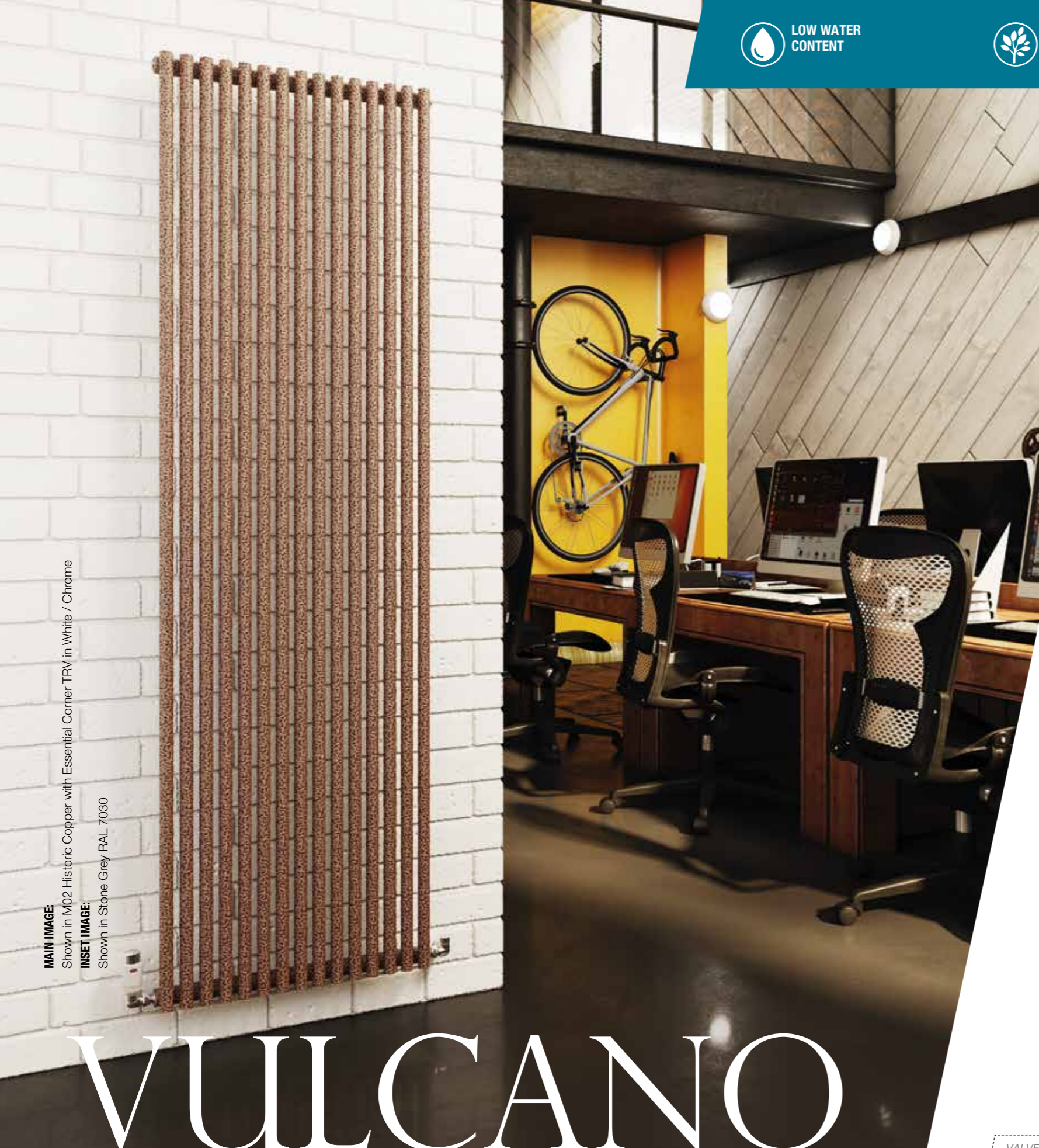
ACCESSORIES

Dual Fuel & All Electric Versions	138 - 140
Essential Radiator Valves	141
Luxury Thermostatic Valves	142 - 143
Luxury Manual Valves	144 - 145
Additional Items & Towel Hanging Options	146 - 148

COLOUR CHARTS & FINISHES

RAL Colours	149
Finishes	150
DQ Cast Iron Finishes	151

TERMS & CONDITIONS



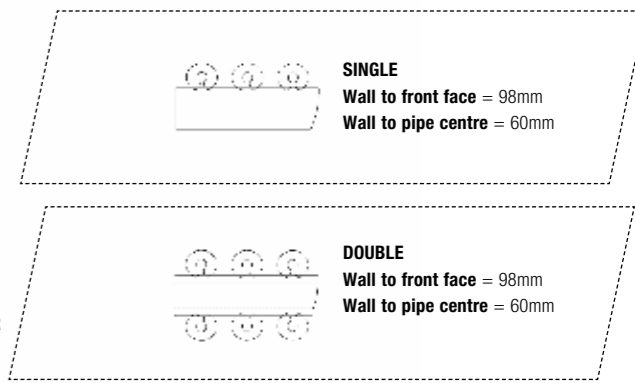
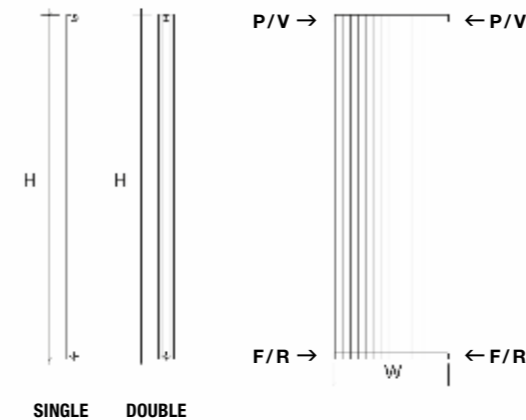
MAIN IMAGE: Shown in M02 Historic Copper with Essential Corner TRV in White / Chrome
INSET IMAGE: Shown in Stone Grey RAL 7030

TECHNICAL INFORMATION

STANDARD CONNECTIONS 1/2" F = Flow P = Plug
R = Return V = Vent

PIPE CENTRES

Vertical = radiator width + valves



Model	Height (H) (mm)	Width (W) (mm)	Watts Δt 50°C	Btu's Δt 50°C	White (inc VAT)	F04 - Dark Grey Texture (inc VAT)	RAL Colour Finishes (inc VAT)	Weight (kgs)
SINGLE								
VUL1 147/10 V	1471	400	850	2900	£406.00	£528.00	£528.00	16
VUL1 147/15 V	1471	600	1275	4350	£586.00	£762.00	£762.00	23
VUL1 177/8 V	1771	320	824	2811	£410.00	£534.00	£534.00	15
VUL1 177/10 V	1771	400	1030	3514	£473.00	£616.00	£616.00	19
VUL1 177/13 V	1771	520	1399	4773	£602.00	£784.00	£784.00	24
VUL1 177/15 V	1771	600	1545	5272	£720.00	£936.00	£936.00	28
VUL1 197/8 V	1971	320	912	3112	£452.00	£588.00	£588.00	16
VUL1 197/10 V	1971	400	1140	3890	£519.00	£675.00	£675.00	21
VUL1 197/13 V	1971	520	1482	5057	£624.00	£811.00	£811.00	27
VUL1 197/15 V	1971	600	1710	5835	£745.00	£969.00	£969.00	31
DOUBLE								
VUL2 147/8 V	1471	320	1136	3876	£439.00	£571.00	£571.00	24
VUL2 147/10 V	1471	400	1420	4845	£545.00	£708.00	£708.00	30
VUL2 147/13 V	1471	520	1846	6299	£703.00	£914.00	£914.00	39
VUL2 147/15 V	1471	600	2130	7268	£838.00	£1,088.00	£1,088.00	45
VUL2 177/8 V	1771	320	1368	4668	£548.00	£713.00	£713.00	29
VUL2 177/10 V	1771	400	1710	5835	£666.00	£865.00	£865.00	36
VUL2 177/13 V	1771	520	2223	7585	£883.00	£1,148.00	£1,148.00	47
VUL2 177/15 V	1771	600	2565	8752	£917.00	£1,192.00	£1,192.00	54
VUL2 197/8 V	1971	320	1520	5186	£619.00	£805.00	£805.00	32
VUL2 197/10 V	1971	400	1900	6483	£754.00	£979.00	£979.00	40
VUL2 197/13 V	1971	520	2470	8428	£905.00	£1,176.00	£1,176.00	52
VUL2 197/15 V	1971	600	2850	9724	£1,043.00	£1,355.00	£1,355.00	60
VUL2 197/18 V	1971	720	3420	11669	£1,248.00	£1,622.00	£1,622.00	72
VUL2 197/20 V	1971	800	3800	12966	£1,386.00	£1,801.00	£1,801.00	80

* 5-7 working days delivery * Additional sizes available on request

VALVES & ACCESSORIES
(Please see pages 141-148)

ADDITIONAL EXTRAS:
• UNDERNEATH CONNECTIONS + £147.00

AVAILABLE IN THE FOLLOWING FINISHES:



VULCANO

VERTICAL

The Vulcano has a unique shaped tube which delivers excellent 'output for size' and supreme styling, helping establish this radiator as a leading product within the UK. Available in single, double, vertical, horizontal and towel rail versions, with many different size and colour options.

E: sales@dqheating.com - T: 01842 810833



MAIN IMAGE: Shown in Pastel Blue RAL 9024 with Essential Straight Valves in Chrome
INSET IMAGE: Shown in White RAL 9016

VULCANO

HORIZONTAL

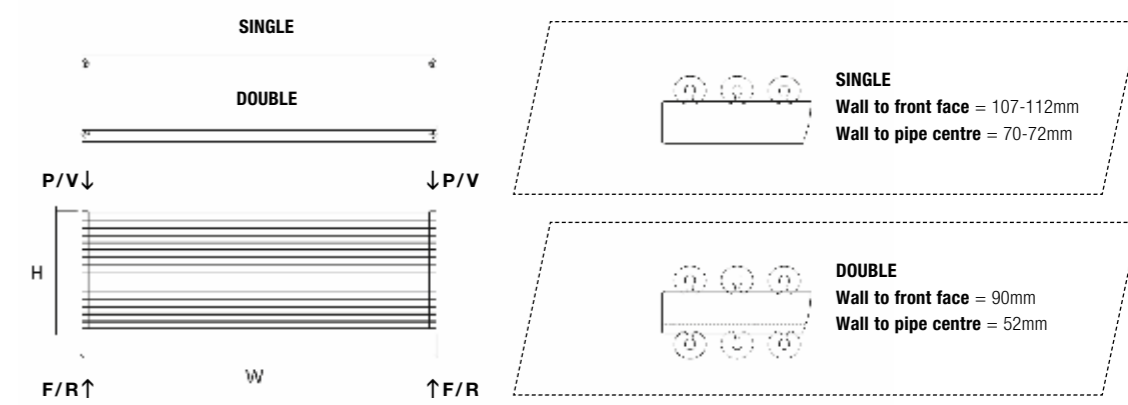
The horizontal version of this distinctive radiator, with u-shaped tubes, is Italian styling at its absolute best – with the white and dark grey texture, in many configurations, available from stock, it's a great addition to the DQ range.

E: sales@dqheating.com – T: 01842 810833

TECHNICAL INFORMATION

STANDARD CONNECTIONS 1/2" F = Flow P = Plug
R = Return V = Vent

PIPE CENTRES
Horizontal = radiator width - 36mm

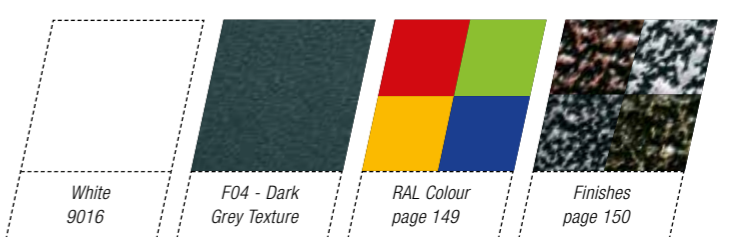


Model	Height (H) (mm)	Width (W) (mm)	Watts Δt 50°C	Btu's Δt 50°C	White (inc VAT)	F04 – Dark Grey Texture (inc VAT)	RAL Colour Finishes (inc VAT)	Weight (kgs)
SINGLE								
VUL1 57/13 H	520	571	455	1552	£276.00	£359.00	£359.00	8
VUL1 57/15 H	600	571	525	1791	£310.00	£403.00	£403.00	10
VUL1 72/13 H	520	721	546	1863	£326.00	£425.00	£425.00	10
VUL1 72/15 H	600	721	630	2150	£360.00	£468.00	£468.00	12
VUL1 97/13 H	520	971	728	2484	£385.00	£500.00	£500.00	14
VUL1 97/15 H	600	971	840	2866	£431.00	£560.00	£560.00	16
VUL1 147/13 H	520	1471	1105	3770	£503.00	£653.00	£653.00	20
VUL1 147/15 H	600	1471	1275	4350	£586.00	£762.00	£762.00	23
DOUBLE								
VUL2 57/10 H	400	571	580	1979	£289.00	£376.00	£376.00	12
VUL2 57/13 H	520	571	754	2573	£348.00	£451.00	£451.00	16
VUL2 57/15 H	600	571	870	2968	£377.00	£490.00	£490.00	18
VUL2 72/10 H	400	721	700	2388	£365.00	£474.00	£474.00	15
VUL2 72/13 H	520	721	910	3105	£414.00	£539.00	£539.00	20
VUL2 72/15 H	600	721	1050	3583	£478.00	£620.00	£620.00	23
VUL2 97/10 H	400	971	940	3207	£490.00	£637.00	£637.00	20
VUL2 97/13 H	520	971	1222	4169	£557.00	£724.00	£724.00	26
VUL2 97/15 H	600	971	1410	4811	£636.00	£827.00	£827.00	30
VUL2 147/10 H	400	1471	1420	4845	£545.00	£708.00	£708.00	30
VUL2 147/13 H	520	1471	1846	6299	£703.00	£914.00	£914.00	39
VUL2 147/15 H	600	1471	2130	7268	£838.00	£1,088.00	£1,088.00	45

◊ 5-7 working days delivery ◊ Additional sizes available on request

VALVES & ACCESSORIES
(Please see pages 141-148)

AVAILABLE IN THE FOLLOWING FINISHES:



MAIN IMAGE: Shown in Antique Pink RAL 3014 with Essential Corner TRV in Chrome
INSET IMAGE: Shown in M02 Historic Copper

CUBE

VERTICAL

Using similar u-shaped tubes as the Vulcano, this radiator offers exceptional build quality and performance.

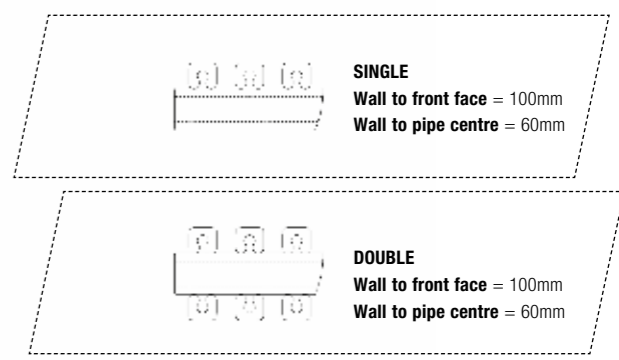
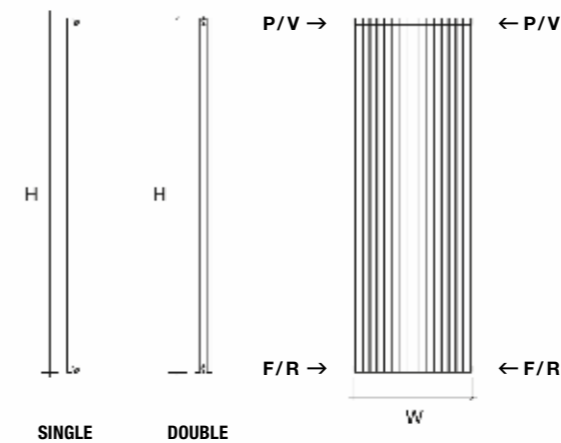
E: sales@dqheating.com – T: 01842 810833

TECHNICAL INFORMATION

STANDARD CONNECTIONS 1/2" F = Flow P = Plug
R = Return V = Vent

PIPE CENTRES

Vertical = radiator width + valves



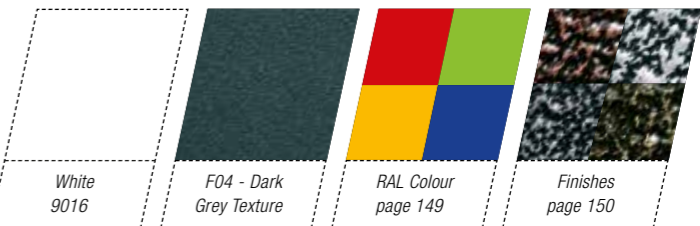
Model	Height (H) (mm)	Width (W) (mm)	Watts Δt 50°C	Btu's Δt 50°C	White (inc VAT)	F04 – Dark Grey Texture (inc VAT)	RAL Colour Finishes (inc VAT)	Weight (kgs)
SINGLE								
CUB1 65/10 V	656	400	460	1570	£419.00	£544.00	£544.00	9
CUB1 65/15 V	656	600	690	2354	£507.00	£659.00	£659.00	13
CUB1 147/10 V	1471	400	1060	3617	£620.00	£806.00	£806.00	19
CUB1 147/13 V	1471	520	1378	4702	£766.00	£996.00	£996.00	24
CUB1 147/15 V	1471	600	1590	5425	£892.00	£1,159.00	£1,159.00	28
CUB1 177/10 V	1771	400	1270	4333	£720.00	£936.00	£936.00	22
CUB1 177/13 V	1771	520	1651	5633	£917.00	£1,192.00	£1,192.00	29
CUB1 177/15 V	1771	600	1905	6500	£1,076.00	£1,399.00	£1,399.00	33
CUB1 197/10 V	1971	400	1420	4845	£796.00	£1,034.00	£1,034.00	25
CUB1 197/13 V	1971	520	1846	6299	£955.00	£1,241.00	£1,241.00	32
CUB1 197/15 V	1971	600	2130	7268	£1,110.00	£1,442.00	£1,442.00	37
CUB1 197/18 V	1971	720	2556	8721	£1,265.00	£1,644.00	£1,644.00	44
DOUBLE								
CUB2 65/10 V	656	400	780	2661	£494.00	£642.00	£642.00	16
CUB2 65/13 V	656	520	1014	3460	£561.00	£729.00	£729.00	21
CUB2 147/10 V	1471	400	1760	6005	£829.00	£1,078.00	£1,078.00	36
CUB2 147/13 V	1471	520	2288	7807	£1,072.00	£1,393.00	£1,393.00	47
CUB2 147/15 V	1471	600	2640	9008	£1,281.00	£1,666.00	£1,666.00	54
CUB2 177/10 V	1771	400	2120	7233	£1,017.00	£1,323.00	£1,323.00	43
CUB2 177/13 V	1771	520	2756	9403	£1,352.00	£1,758.00	£1,758.00	56
CUB2 177/15 V	1771	600	3180	10850	£1,599.00	£2,079.00	£2,079.00	65
CUB2 197/10 V	1971	400	2360	8052	£1,151.00	£1,497.00	£1,497.00	48
CUB2 197/13 V	1971	520	3068	10468	£1,382.00	£1,796.00	£1,796.00	63
CUB2 197/15 V	1971	600	3540	12078	£1,641.00	£2,134.00	£2,134.00	72
CUB2 197/18 V	1971	720	4248	14494	£1,901.00	£2,471.00	£2,471.00	87

* All items in bold – 5-7 working days delivery * All items not in bold – 4-5 weeks delivery * Additional sizes available on request

VALVES & ACCESSORIES
(Please see pages 141-148)

ADDITIONAL EXTRAS
UNDERNEATH CONNECTIONS + £147.00

AVAILABLE IN THE FOLLOWING FINISHES:





LOW WATER CONTENT



MATERIAL
• Mild steel



DELIVERY
• All items in bold 5-7 working days



5 YEAR GUARANTEE



FOR FITTING INSTRUCTIONS VISIT
www.dqheating.com

MAIN IMAGE: Shown in Traffic Yellow RAL 1023 with Essential Straight Valves in Chrome
INSET IMAGE: Shown in White RAL 9016

CUBE

HORIZONTAL

Many sizes and finishes are available in this superbly manufactured Italian radiator.

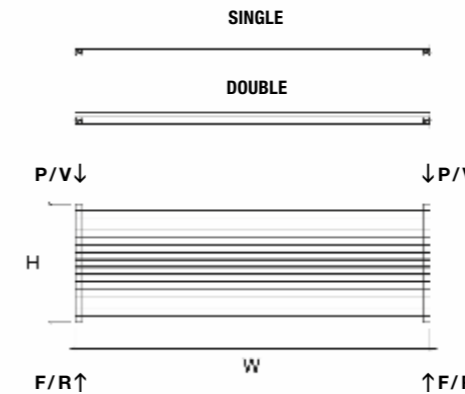
E: sales@dqheating.com – T: 01842 810833



TECHNICAL INFORMATION

STANDARD CONNECTIONS 1/2" F = Flow P = Plug
R = Return V = Vent

PIPE CENTRES
Horizontal = radiator width - 36mm



SINGLE
Wall to front face = 112-117mm
Wall to pipe centre = 70-75mm

DOUBLE
Wall to front face = 100mm
Wall to pipe centre = 60mm

Model	Height (H) (mm)	Width (W) (mm)	Watts Δt 50°C	Btu's Δt 50°C	White (inc VAT)	F04 - Dark Grey Texture (inc VAT)	RAL Colour Finishes (inc VAT)	Weight (kgs)
SINGLE								
CUB1 57/10 H	400	571	410	1399	£389.00	£506.00	£506.00	8
CUB1 57/15 H	600	571	615	2098	£469.00	£610.00	£610.00	12
CUB1 72/10 H	400	721	520	1774	£452.00	£588.00	£588.00	10
CUB1 72/15 H	600	721	780	2661	£549.00	£713.00	£713.00	14
CUB1 97/10 H	400	971	700	2388	£536.00	£697.00	£697.00	13
CUB1 97/15 H	600	971	1050	3583	£657.00	£855.00	£855.00	19
CUB1 147/10 H	400	1471	1060	3617	£620.00	£806.00	£806.00	19
CUB1 147/15 H	600	1471	1590	5425	£892.00	£1,159.00	£1,159.00	28
CUB1 177/10 H	400	1771	1270	4333	£720.00	£936.00	£936.00	22
CUB1 177/15 H	600	1771	1905	6500	£1,076.00	£1,399.00	£1,399.00	33
CUB1 197/10 H	400	1971	1420	4845	£796.00	£1,034.00	£1,034.00	25
CUB1 197/15 H	600	1971	2130	7268	£1,110.00	£1,442.00	£1,442.00	37
DOUBLE								
CUB2 57/10 H	400	571	680	2320	£570.00	£741.00	£741.00	15
CUB2 57/15 H	600	571	1020	3480	£578.00	£751.00	£751.00	22
CUB2 72/10 H	400	721	870	2968	£668.00	£895.00	£895.00	18
CUB2 72/15 H	600	721	1305	4453	£729.00	£947.00	£947.00	27
CUB2 97/10 H	400	971	1160	3958	£745.00	£969.00	£969.00	24
CUB2 97/15 H	600	971	1740	5937	£967.00	£1,257.00	£1,257.00	36
CUB2 147/10 H	400	1471	1760	6005	£829.00	£1,078.00	£1,078.00	36
CUB2 147/15 H	600	1471	2640	9008	£1,281.00	£1,666.00	£1,666.00	54
CUB2 177/10 H	400	1771	2120	7233	£1,017.00	£1,323.00	£1,323.00	43
CUB2 177/15 H	600	1771	3180	10850	£1,599.00	£2,079.00	£2,079.00	65
CUB2 197/10 H	400	1971	2360	8052	£1,151.00	£1,497.00	£1,497.00	48
CUB2 197/15 H	600	1971	3540	12078	£1,641.00	£2,134.00	£2,134.00	72

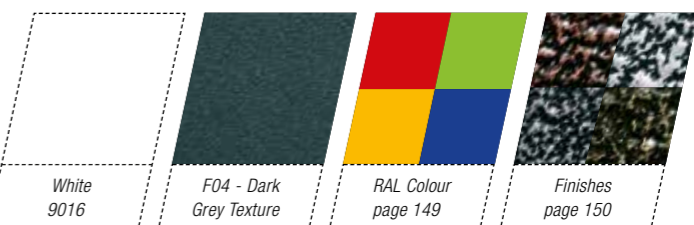
*All items in bold – 5-7 working days delivery

* All items not in bold – 4-5 weeks delivery

* Additional sizes available on request

VALVES & ACCESSORIES
(Please see pages 141-148)

AVAILABLE IN THE FOLLOWING FINISHES:





MATERIAL
• Mild steel



DELIVERY
• All items in bold 5-7 working days



5 YEAR GUARANTEE



FOR FITTING INSTRUCTIONS VISIT
www.dqheating.com



MAIN IMAGE: Shown in Pastel Turquoise RAL 6034 with Essential Angled Valves in Chrome

INSET IMAGE: Shown in F04 Dark Grey Texture

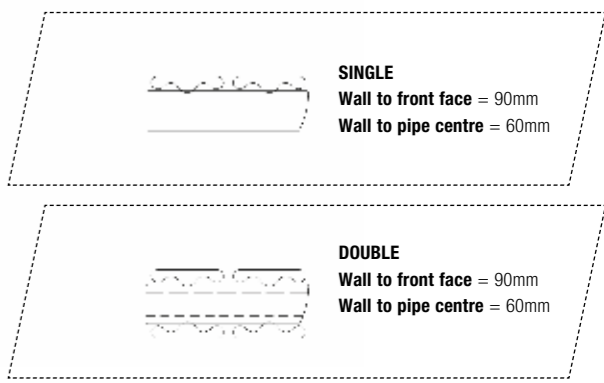
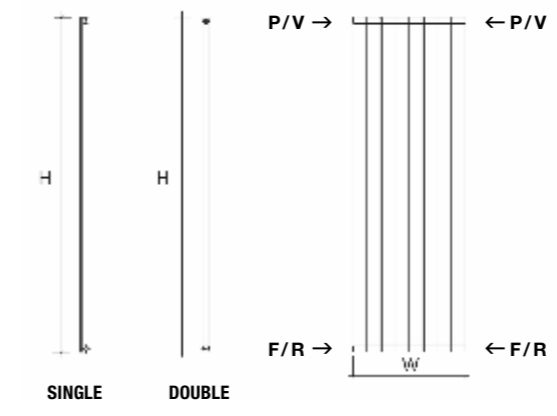
TORNADO

VERTICAL

This flat profile radiator with a unique shaped rear is available in a massive range of sizes and finishes.

TECHNICAL INFORMATION
STANDARD CONNECTIONS 1/2" F = Flow P = Plug
R = Return V = Vent

PIPE CENTRES
Vertical = radiator width + valves



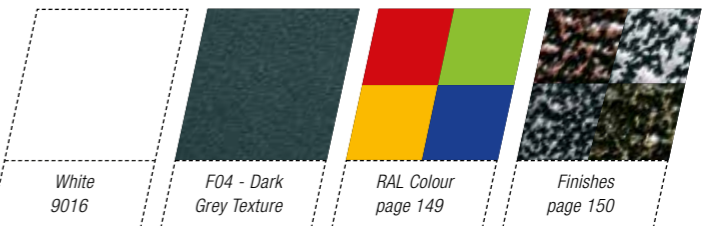
Model	Height (H) (mm)	Width (W) (mm)	Watts Δt 50°C	Btu's Δt 50°C	White (inc VAT)	F04 - Dark Grey Texture (inc VAT)	RAL Colour Finishes (inc VAT)	Weight (kgs)
SINGLE								
TOR1 65/6 V	656	456	336	1146	£293.00	£381.00	£381.00	8
TOR1 65/8 V	656	606	448	1529	£368.00	£479.00	£479.00	11
TOR1 147/4 V	1471	306	492	1679	£339.00	£441.00	£441.00	11
TOR1 147/6 V	1471	456	738	2518	£440.00	£572.00	£572.00	17
TOR1 147/8 V	1471	606	984	3357	£515.00	£670.00	£670.00	22
TOR1 177/4 V	1771	306	592	2020	£356.00	£463.00	£463.00	13
TOR1 177/6 V	1771	456	888	3030	£469.00	£610.00	£610.00	20
TOR1 177/8 V	1771	606	1184	4040	£553.00	£719.00	£719.00	27
TOR1 197/4 V	1971	306	664	2266	£394.00	£512.00	£512.00	15
TOR1 197/6 V	1971	456	996	3398	£507.00	£659.00	£659.00	22
TOR1 197/8 V	1971	606	1328	4531	£607.00	£789.00	£789.00	30
TOR1 197/10 V	1971	756	1660	5664	£724.00	£942.00	£942.00	37
DOUBLE								
TOR2 65/6 V	656	456	546	1863	£519.00	£675.00	£675.00	15
TOR2 65/8 V	656	606	728	2484	£645.00	£838.00	£838.00	20
TOR2 147/4 V	1471	306	788	2689	£599.00	£778.00	£778.00	22
TOR2 147/6 V	1471	456	1182	4033	£783.00	£1,018.00	£1,018.00	33
TOR2 147/8 V	1471	606	1576	5377	£909.00	£1,181.00	£1,181.00	43
TOR2 177/4 V	1771	306	952	3248	£628.00	£816.00	£816.00	26
TOR2 177/6 V	1771	456	1428	4872	£829.00	£1,078.00	£1,078.00	39
TOR2 177/8 V	1771	606	1904	6496	£980.00	£1,274.00	£1,274.00	52
TOR2 197/4 V	1971	306	1060	3617	£682.00	£887.00	£887.00	29
TOR2 197/6 V	1971	456	1590	5425	£871.00	£1,132.00	£1,132.00	43
TOR2 197/8 V	1971	606	2120	7233	£1,076.00	£1,399.00	£1,399.00	58
TOR2 197/10 V	1971	756	2650	9042	£1,281.00	£1,666.00	£1,666.00	72

* All items in bold - 5-7 working days delivery * All items not in bold - 4-5 weeks delivery * Additional sizes available on request

VALVES & ACCESSORIES
(Please see pages 141-148)

ADDITIONAL EXTRAS:
• UNDERNEATH CONNECTIONS + £147.00

AVAILABLE IN THE FOLLOWING FINISHES:





MATERIAL
• Mild steel



DELIVERY
• All items in bold
5-7 working days



5 YEAR GUARANTEE



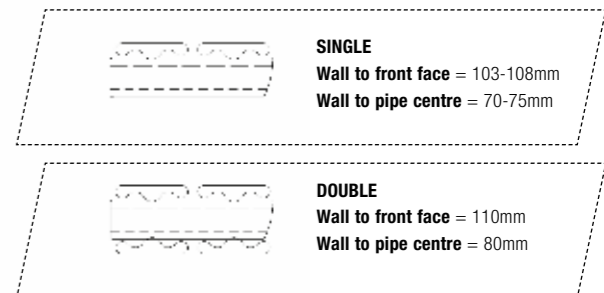
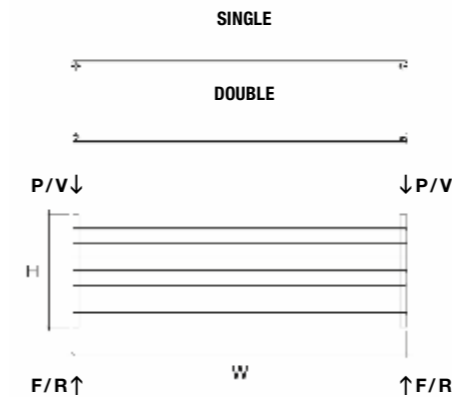
FOR FITTING INSTRUCTIONS VISIT
www.dqheating.com

TECHNICAL INFORMATION

STANDARD CONNECTIONS 1/2" F = Flow P = Plug
R = Return V = Vent

PIPE CENTRES

Horizontal = radiator width - 36mm



Model	Height (H) (mm)	Width (W) (mm)	Watts Δt 50°C	Btu's Δt 50°C	White (inc VAT)	F04 - Dark Grey Texture (inc VAT)	RAL Colour Finishes (inc VAT)	Weight (kgs)
SINGLE								
TOR1 65/6 H	456	656	336	1146	£293.00	£381.00	£381.00	8
TOR1 65/8 H	606	656	448	1529	£368.00	£479.00	£479.00	11
TOR1 72/6 H	456	721	360	1228	£310.00	£403.00	£403.00	9
TOR1 72/8 H	606	721	480	1638	£373.00	£484.00	£484.00	12
TOR1 97/6 H	456	971	486	1658	£339.00	£441.00	£441.00	11
TOR1 97/8 H	606	971	648	2211	£406.00	£528.00	£528.00	15
TOR1 116/6 H	456	1166	588	2006	£368.00	£479.00	£479.00	14
TOR1 116/8 H	606	1166	784	2675	£444.00	£577.00	£577.00	18
TOR1 147/6 H	456	1471	738	2518	£440.00	£572.00	£572.00	17
TOR1 147/8 H	606	1471	984	3357	£515.00	£670.00	£670.00	22
TOR1 177/6 H	456	1771	888	3030	£469.00	£610.00	£610.00	20
TOR1 177/8 H	606	1771	1184	4040	£553.00	£719.00	£719.00	27
TOR1 197/6 H	456	1971	996	3398	£507.00	£659.00	£659.00	22
TOR1 197/8 H	606	1971	1328	4531	£607.00	£789.00	£789.00	30
DOUBLE								
TOR2 65/6 H	456	656	546	1863	£519.00	£675.00	£675.00	15
TOR2 65/8 H	606	656	728	2484	£645.00	£838.00	£838.00	20
TOR2 72/6 H	456	721	588	2006	£544.00	£708.00	£708.00	16
TOR2 72/8 H	606	721	784	2675	£662.00	£860.00	£860.00	22
TOR2 97/6 H	456	971	786	2682	£595.00	£773.00	£773.00	22
TOR2 97/8 H	606	971	1048	3576	£716.00	£931.00	£931.00	29
TOR2 116/6 H	456	1166	942	3214	£649.00	£844.00	£844.00	26
TOR2 116/8 H	606	1166	1256	4285	£787.00	£1,023.00	£1,023.00	35
TOR2 147/6 H	456	1471	1182	4033	£783.00	£1,018.00	£1,018.00	33
TOR2 147/8 H	606	1471	1576	5377	£909.00	£1,181.00	£1,181.00	43
TOR2 177/6 H	456	1771	1428	4872	£829.00	£1,078.00	£1,078.00	39
TOR2 177/8 H	606	1771	1904	6496	£980.00	£1,274.00	£1,274.00	52
TOR2 197/6 H	456	1971	1590	5425	£871.00	£1,132.00	£1,132.00	43
TOR2 197/8 H	606	1971	2120	7233	£1,076.00	£1,399.00	£1,399.00	58

* All items in bold - 5-7 working days delivery * All items not in bold - 4-5 weeks delivery * Additional sizes available on request

VALVES & ACCESSORIES
(Please see pages 141-148)

AVAILABLE IN THE FOLLOWING FINISHES:



MAIN IMAGE: Shown in Salmon Orange RAL 2012 with Essential Straight Valves in Chrome
INSET IMAGE: Shown in White RAL 9016

TORNADO

HORIZONTAL

The Tornado radiator gives you great heat performance and has many options to fulfil your needs.



MAIN AND INSET IMAGE:
Shown in Infinity Steel with Essential Corner TRV in White / Chrome

TAO

VERTICAL

The Tao vertical radiator offers durability in both its build quality and finish. The innovation is noticeable thanks to its special finish and the stylish curve to the vertical bars. The modern feel gives you a focal point that will more than satisfy.

TECHNICAL INFORMATION
STANDARD CONNECTIONS 1/2"

F = Flow **P** = Plug
R = Return **V** = Vent

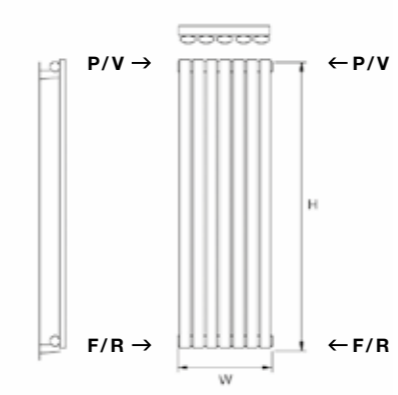
PIPE CENTRES = radiator width + valves

SINGLE
Wall to front face = 105mm
Wall to pipe centre = 65mm

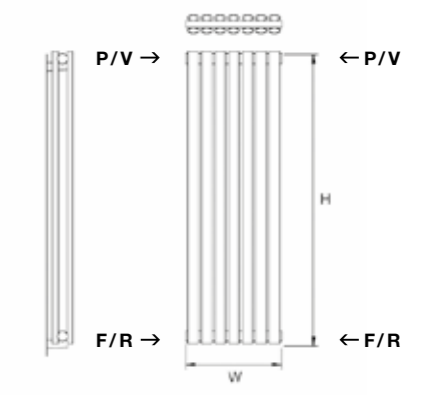
DOUBLE
Wall to front face = 105mm
Wall to pipe centre = 65mm



The Tao is manufactured in our "Infinity steel" PVD finish, which stands for physical vapor deposition; a process used to create a very durable, corrosion and tarnish resistant finish. PVD finish is commonly used for bathroom fixtures which are exposed to frequent moisture.



SINGLE VERTICAL



DOUBLE VERTICAL

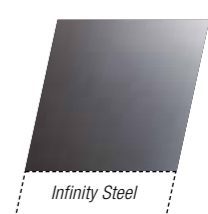
Model	Height (H) (mm)	Width (W) (mm)	Watts Δt 50°C	Btu's Δt 50°C	Infinity Steel (inc VAT)	Weight (kgs)
SINGLE						
Tao 150/5	1500	295	530	1808	£335.00	14
Tao 150/7	1500	413	750	2559	£391.00	19
Tao 180/5	1800	295	640	2184	£382.00	15
Tao 180/7	1800	413	895	3054	£508.00	20
Tao 180/9	1800	531	1155	3941	£633.00	26
DOUBLE						
Tao 150/5D	1500	295	800	2730	£612.00	25
Tao 150/7D	1500	413	1130	3856	£832.00	35
Tao 180/5D	1800	295	970	3310	£709.00	28
Tao 180/7D	1800	413	1350	4606	£961.00	36
Tao 180/9D	1800	531	1740	5937	£1,216.00	50

* Next working day delivery

VALVES & ACCESSORIES
(Please see pages 141-148)

- ADDITIONAL EXTRAS:
- TOWEL BAR TO FIT 295 & 413 WIDE IN CHROME + **£60.00**
 - GRIP PEG IN WHITE OR CHROME + **£24.00**
 - VIP HOOK IN WHITE OR CHROME + **£33.60**

AVAILABLE IN THE FOLLOWING FINISH:





MAIN IMAGE: Shown in Red Lilac RAL 4001 with Essential Corner TRV in Chrome
INSET IMAGE: Shown in White RAL 9016

COVE

VERTICAL

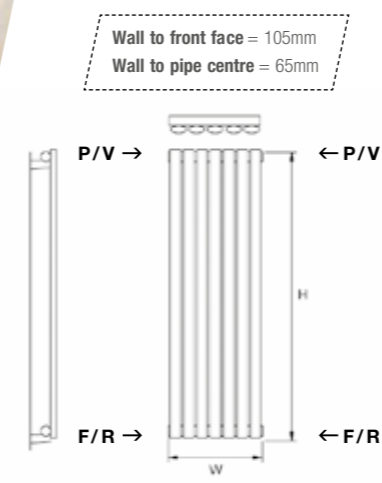
Either single or double sided, this superb heat emitter is perfectly proportioned to add style and elegance to any room. With plenty of sizes and finishes available from stock, it is easy to see why it is our best seller.

E: sales@dqheating.com – T: 01842 810833

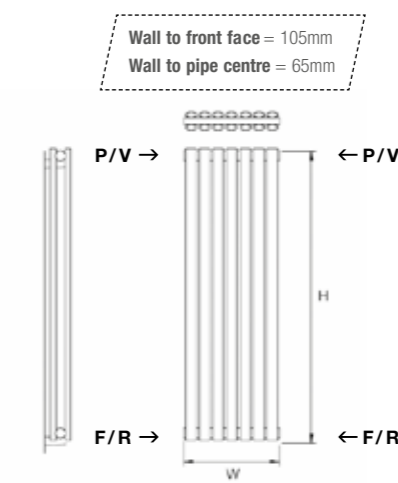
TECHNICAL INFORMATION

STANDARD CONNECTIONS 1/2" F = Flow P = Plug
R = Return V = Vent

PIPE CENTRES
Vertical = radiator width + valves
Horizontal = radiator width - 45mm



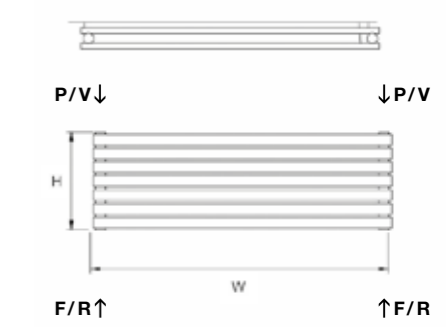
SINGLE VERTICAL



DOUBLE VERTICAL

SINGLE
Wall to front face = 61mm
Wall to pipe centre = 20mm
On the Single Horizontal, only straight valves can be used.

DOUBLE
Wall to front face = 105mm
Wall to pipe centre = 61mm



Additional Horizontal Brackets + **£26.00** (inc VAT)

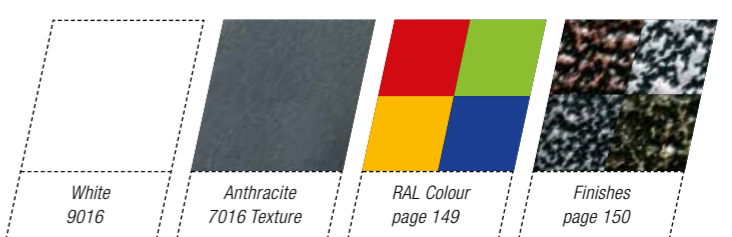
Model	Height (H) (mm)	Width (W) (mm)	Watts Δt 50°C	Btu's Δt 50°C	White (inc VAT)	Anthracite 7016 Texture (inc VAT)	RAL Colour Finishes (inc VAT)	Weight (kgs)
SINGLE								
Cove 150/5	1500	295	530	1808	£144.00	£144.00	£201.60	14
Cove 150/7	1500	413	750	2559	£192.00	£192.00	£268.80	19
Cove 180/5	1800	295	640	2184	£162.00	£162.00	£226.80	15
Cove 180/7	1800	413	895	3054	£216.00	£216.00	£302.40	20
Cove 180/9	1800	531	1155	3941	£276.00	£276.00	£386.40	26
DOUBLE								
Cove 150/5D	1500	295	800	2730	£264.00	£264.00	£369.60	25
Cove 150/7D	1500	413	1130	3856	£360.00	£360.00	£504.00	35
Cove 180/5D	1800	295	970	3310	£288.00	£288.00	£403.20	28
Cove 180/7D	1800	413	1350	4606	£402.00	£402.00	£562.80	36
Cove 180/9D	1800	531	1740	5937	£540.00	£540.00	£756.00	50

* All items in bold – Next working day delivery * All items not in bold – 5-7 working days delivery

VALVES & ACCESSORIES
(Please see pages 141-148)

- ADDITIONAL EXTRAS:**
- COVE BRACKETS TO HANG VERTICAL RADIATOR HORIZONTAL + **£26.00**
 - TOWEL BAR TO FIT 295 & 413 WIDE IN CHROME + **£60.00**
 - GRIP PEG IN WHITE OR CHROME + **£24.00**
 - VIP HOOK IN WHITE OR CHROME + **£33.60**

AVAILABLE IN THE FOLLOWING FINISHES:



MAIN IMAGE: Shown in White RAL 9016 with Jupiter Angled Valves in Brushed Nickel
 INSET IMAGE: Shown in Anthracite 7016 Texture



MATERIAL
 • Mild steel



DELIVERY
 • All items in bold next working day



5 YEAR GUARANTEE



FOR FITTING INSTRUCTIONS VISIT
www.dqheating.com



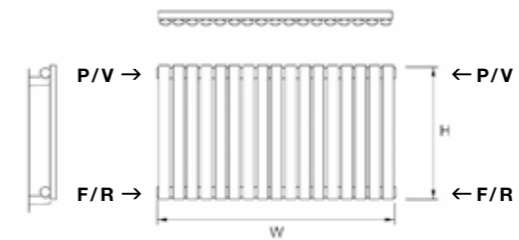
TECHNICAL INFORMATION

STANDARD CONNECTIONS 1/2" F = Flow P = Plug
 R = Return V = Vent

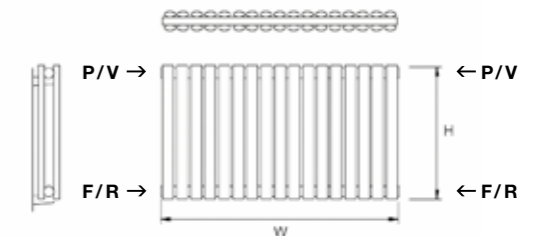
PIPE CENTRES

Horizontal = radiator width + valves

Wall to front face = 105mm
 Wall to pipe centre = 65mm



SINGLE HORIZONTAL



DOUBLE HORIZONTAL

Model	Height (H) (mm)	Width (W) (mm)	Watts Δt 50°C	Btu's Δt 50°C	White (inc VAT)	Anthracite 7016 Texture (inc VAT)	RAL Colour Finishes (inc VAT)	Weight (kgs)
SINGLE								
Cove 550/7	550	413	275	938	£132.00	£132.00	£184.80	10
Cove 550/10	550	590	390	1331	£168.00	£168.00	£235.20	12
Cove 550/14	550	826	550	1877	£222.00	£222.00	£310.80	14
Cove 550/17	550	1003	665	2269	£276.00	£276.00	£386.40	16
Cove 550/20	550	1180	780	2661	£312.00	£312.00	£436.80	18
DOUBLE								
Cove 550/7D	550	413	440	1501	£186.00	£186.00	£260.40	17
Cove 550/10D	550	590	625	2133	£252.00	£252.00	£352.80	19
Cove 550/14D	550	826	880	3003	£336.00	£336.00	£470.40	21
Cove 550/17D	550	1003	1065	3634	£402.00	£402.00	£562.80	24
Cove 550/20D	550	1180	1250	4265	£462.00	£462.00	£646.80	27

* All items in bold – Next working day delivery

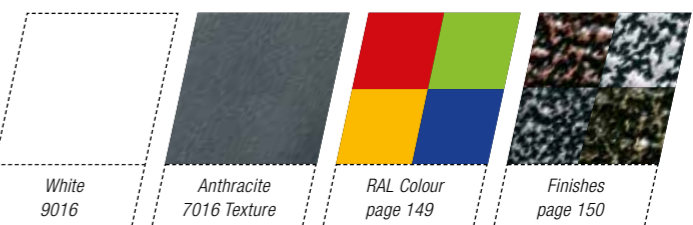
* All items not in bold – 5-7 working days delivery

VALVES & ACCESSORIES
 (Please see pages 141-148)

ADDITIONAL EXTRAS:

- TOWEL BAR TO FIT 413 WIDE IN CHROME + **£60.00**
- GRIP PEG IN WHITE OR CHROME + **£24.00**
- VIP HOOK IN WHITE OR CHROME + **£33.60**

AVAILABLE IN THE FOLLOWING FINISHES:



COVE

HORIZONTAL

The Cove horizontal is available in the same range of finishes to match its vertical brother, which gives a massive range to choose from and plenty of options to find the perfect radiator for your home.

E: sales@dqheating.com – T: 01842 810833



MAIN IMAGE: Shown in White RAL 9016 with Essential Corner TRV in Chrome
INSET IMAGE: Shown in Anthracite RAL 7016 Texture

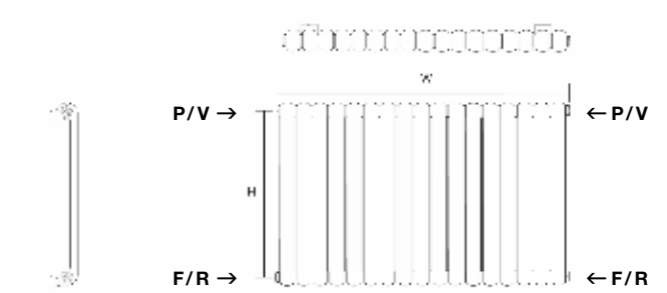
TECHNICAL INFORMATION
STANDARD CONNECTIONS 1/2"

F = Flow **P** = Plug
R = Return **V** = Vent

PIPE CENTRES
Vertical = radiator width + valves



Wall to front face = 115mm
Wall to pipe centre = 70mm



HORIZONTAL

Model	Height (H) (mm)	Width (W) (mm)	Watts Δt 50°C	Btu's Δt 50°C	White (inc VAT)	Anthracite 7016 Texture (inc VAT)	RAL Colour Finishes (inc VAT)	Weight (kgs)
Cassius 550/7	550	507	505	1722	£208.80	£208.80	£292.80	17
Cassius 550/11	550	785	793	2706	£324.00	£324.00	£453.60	27
Cassius 550/14	550	993	1009	3444	£417.60	£417.60	£584.40	35
Cassius 550/17	550	1202	1210	4128	£501.60	£501.60	£702.00	42

All items in bold – Next working day delivery

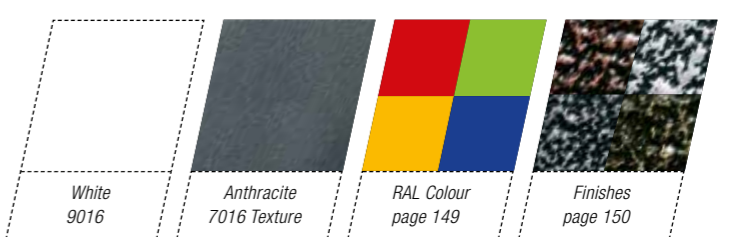
All items not in bold – 5-7 working days delivery

VALVES & ACCESSORIES
(Please see pages 141-148)

ADDITIONAL EXTRAS:
• SLIP-ON FEET (IN PAIRS) + **£36.00**
IN WHITE AND ANTHRACITE



AVAILABLE IN THE FOLLOWING FINISHES:



CASSIUS

HORIZONTAL

The Cassius horizontal is available in the same two finishes as the vertical version, but in a choice of four widths as standard, making this radiator even more versatile.

MAIN IMAGE: Shown in Pure Orange RAL 2004 with Essential Straight Valves in Chrome
INSET IMAGE: Shown in White Aluminium RAL 9006 Matt



DRIFTER

VERTICAL & HORIZONTAL

A slim, stylish flat panel radiator with clean lines and a subtle ridge that gives a distinguished contemporary feel. This low water content radiator can transform any room in the house with its classy design.

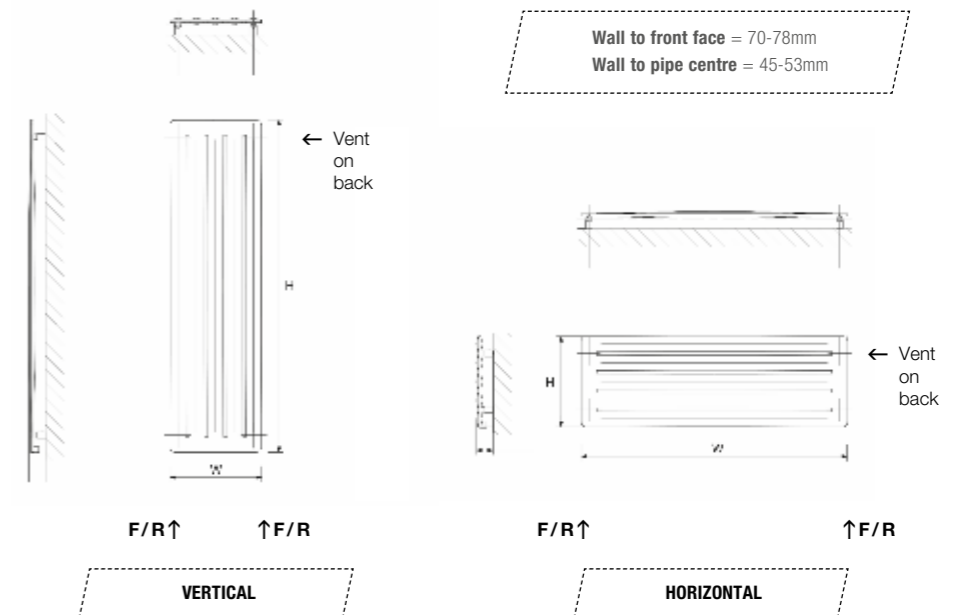
E: sales@dqheating.com – T: 01842 810833

TECHNICAL INFORMATION
STANDARD CONNECTIONS 1/2"

F = Flow
R = Return

PIPE CENTRES

Vertical = radiator width - 70mm
Horizontal = radiator width - 70mm



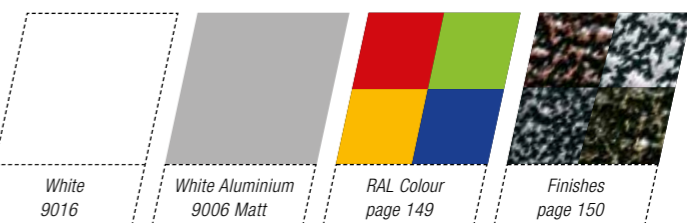
Model	Height (H) (mm)	Width (W) (mm)	Watts Δt 50°C	Btu's Δt 50°C	White (inc VAT)	RAL 9006 Matt (inc VAT)	RAL Colour Finishes (inc VAT)	Weight (kgs)
VERTICAL								
Drifter 150/4 V	1500	325	446	1522	£777.00	£777.00	£1,011.00	15
Drifter 150/5 V	1500	410	558	1904	£815.00	£815.00	£1,060.00	18
Drifter 180/4 V	1800	325	526	1795	£835.00	£835.00	£1,086.00	18
Drifter 180/5 V	1800	410	657	2242	£893.00	£893.00	£1,161.00	22
HORIZONTAL								
Drifter 90/4 H	325	900	290	989	£700.00	£700.00	£910.00	9
Drifter 120/5 H	410	1200	485	1655	£776.00	£776.00	£1,009.00	15
Drifter 150/5 H	410	1500	582	1986	£815.00	£815.00	£1,060.00	18
Drifter 180/5 H	410	1800	720	2457	£893.00	£893.00	£1,161.00	22

All items in bold – Next working day delivery

All items not in bold – 5-7 working days delivery

VALVES & ACCESSORIES
(Please see pages 141-148)

AVAILABLE IN THE FOLLOWING FINISHES:





LOW WATER CONTENT



MATERIAL
• Mild steel



DELIVERY
• All items 5-7 working days



5 YEAR GUARANTEE



FOR FITTING INSTRUCTIONS VISIT
www.dqheating.com

MAIN IMAGE: Shown in Grey Aluminium RAL 9007 with Essential Corner TRV in Chrome
INSET IMAGE: Shown in Oyster White RAL 1013



TECHNICAL INFORMATION

STANDARD CONNECTIONS 1/2" F = Flow P = Plug
R = Return V = Vent

PIPE CENTRES
Vertical = radiator width + valves
Horizontal = radiator width - 35mm



SINGLE VERTICAL

Wall to front face = 105mm
Wall to pipe centre = 55mm



SINGLE HORIZONTAL

Wall to front face = 120-125mm
Wall to pipe centre = 70-75mm

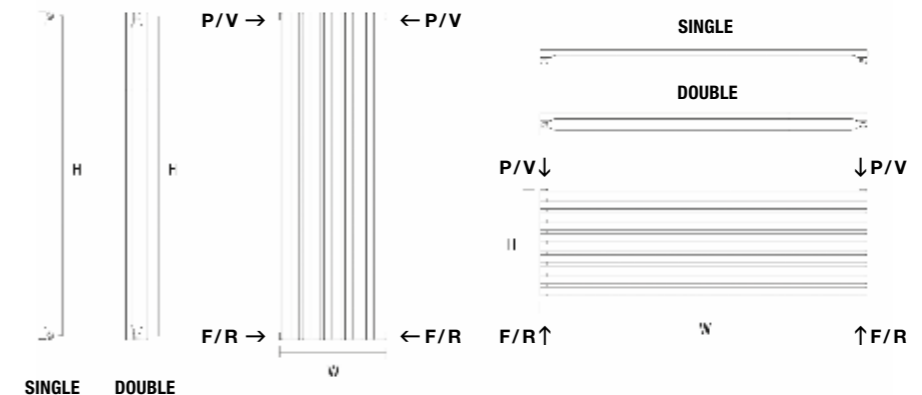
DOUBLE VERTICAL

Wall to front face = 105mm
Wall to pipe centre = 55mm



DOUBLE HORIZONTAL

Wall to front face = 130mm
Wall to pipe centre = 80mm



VERTICAL

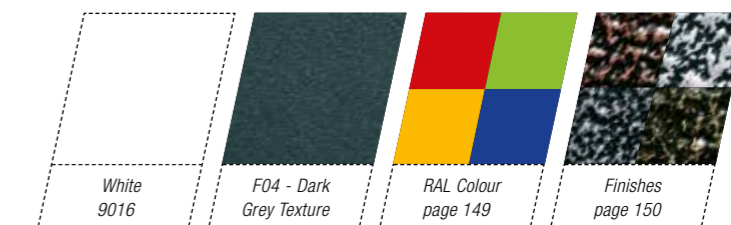
HORIZONTAL

Model	Height (H) (mm)	Width (W) (mm)	Watts Δt 50°C	Btu's Δt 50°C	White (inc VAT)	F04 - Dark Grey Texture (inc VAT)	RAL Colour Finishes (inc VAT)	Weight (kgs)
VERTICAL SINGLE								
BOS1 180/6 V	1800	300	647	2208	£496.00	£643.00	£643.00	12
BOS1 180/10 V	1800	500	1078	3678	£706.00	£917.00	£917.00	20
VERTICAL DOUBLE								
BOS2 180/6 V	1800	300	1047	3572	£649.00	£844.00	£844.00	23
BOS2 180/10 V	1800	500	1745	5954	£1,015.00	£1,320.00	£1,320.00	40
HORIZONTAL DOUBLE								
BOS2 60/10 H	500	600	633	2160	£461.00	£599.00	£599.00	14
BOS2 100/10 H	500	1000	1004	3426	£708.00	£920.00	£920.00	21
BOS2 150/10 H	500	1500	1467	5005	£868.00	£1,129.00	£1,129.00	31

5-7 working days delivery Additional sizes available on request

VALVES & ACCESSORIES
(Please see pages 141-148)

AVAILABLE IN THE FOLLOWING FINISHES:



BOSUN

VERTICAL & HORIZONTAL

The Bosun is from the same family as the versatile Vulcano products. These lower water content radiators deliver excellent output for size, and the larger 35mm unique shaped tubes add a different dimension to the styling of this exceptional product range.

E: sales@dqheating.com - T: 01842 810833



LOW WATER CONTENT



MATERIAL
• Aluminium



DELIVERY
• All items in bold next working day



5 YEAR GUARANTEE



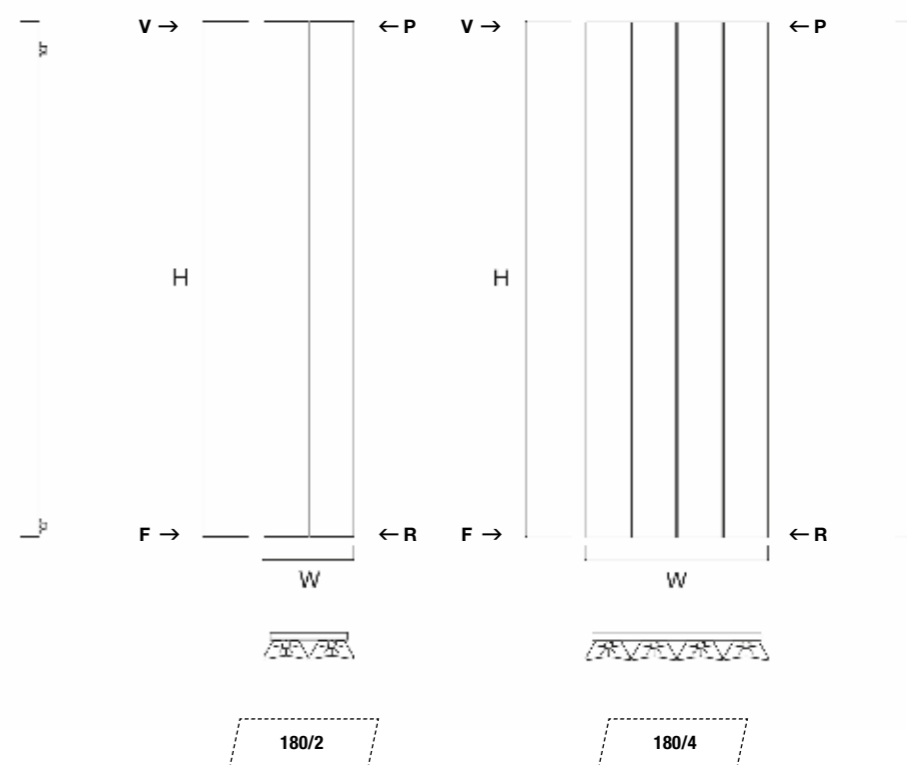
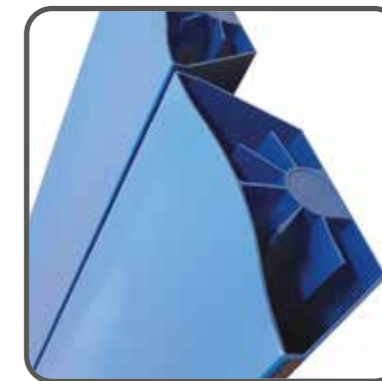
FOR FITTING INSTRUCTIONS VISIT
www.dqheating.com

100% RECYCLED ALUMINIUM

TECHNICAL INFORMATION

STANDARD F = Flow P = Plug
CONNECTIONS 1/2" R = Return V = Vent

Wall to front face = 110mm
Wall to pipe centre = 25mm



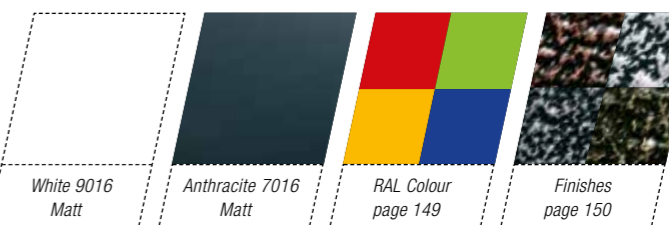
Model	Height (H) (mm)	Width (W) (mm)	Watts Δt 50°C	Btu's Δt 50°C	White Matt (inc VAT)	Anthracite 7016 Matt (inc VAT)	RAL Colour Finishes (inc VAT)	Weight (kgs)
RUVO 180/2	1800	315	829	2829	£449.00	£449.00	£587.00	11
RUVO 180/4	1800	635	1657	5654	£899.00	£899.00	£1,169.00	22

*All items in bold – Next working day delivery

*All items not in bold – 5-7 working days delivery

VALVES & ACCESSORIES
(Please see pages 141-148)

AVAILABLE IN THE FOLLOWING FINISHES:



White 9016 Matt

Anthracite 7016 Matt

RAL Colour page 149

Finishes page 150

RUVO

The stylishly Italian designed Ruvo is manufactured from 100% recycled aluminium. This material gives you the benefits of heating up quickly, a high heat output and a low water content. With its flowing lines and attention to detail, this ethical product simultaneously offers sustainability without compromising on style.

E: sales@dqheating.com – T: 01842 810833

MAIN IMAGE: Shown in Turquoise Blue RAL 5018 with Essential Corner TRV in White / Chrome
INSET IMAGE: Shown in Light Blue RAL 5012





LOW WATER CONTENT



MATERIAL
• Aluminium



DELIVERY
• Next working day



5 YEAR GUARANTEE



FOR FITTING INSTRUCTIONS VISIT
www.dqheating.com

100% RECYCLED ALUMINIUM

TECHNICAL INFORMATION

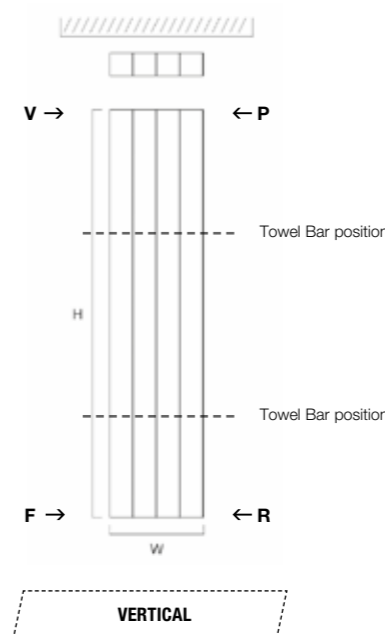
STANDARD CONNECTIONS 1/2" F = Flow P = Plug
R = Return V = Vent

PIPE CENTRES

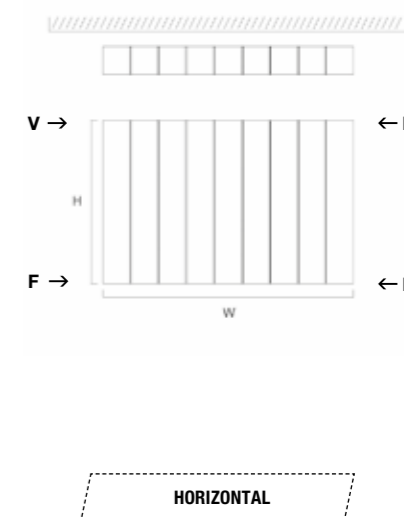
Vertical = radiator width + valves
Horizontal = radiator width + valves



Wall to front face = 90mm
Wall to pipe centre = 55mm



VERTICAL



HORIZONTAL

Model	Height (H) (mm)	Width (W) (mm)	Watts Δt 50°C	Btu's Δt 50°C	White Matt (inc VAT)	Anthracite 7016 Matt (inc VAT)	Weight (kgs)
VERTICAL							
Vela 190/3	1900	367	843	2876	£634.00	£634.00	20
Vela 190/4	1900	488	1124	3835	£809.00	£809.00	26
HORIZONTAL							
Vela 60/3	600	367	318	1085	£413.00	£413.00	6
Vela 60/5	600	610	530	1808	£629.00	£629.00	10
Vela 60/7	600	853	742	2532	£844.00	£844.00	14
Vela 60/9	600	1096	954	3255	£1,060.00	£1,060.00	18

* Next working day delivery

VALVES & ACCESSORIES
(Please see pages 141-148)



ADDITIONAL EXTRAS:
• ADDITIONAL TOWEL BAR IN POLISHED.
SIZES 367MM & 488MM + £132.00

AVAILABLE IN THE FOLLOWING FINISHES:

White 9016 Matt

Anthracite 7016 Matt

VERTICAL & HORIZONTAL

This elegant flat panel radiator manufactured from lightweight aluminium, has low water content along with many different options, including a striking polished towel bar and electric only versions. It provides energy efficient solutions to your heating requirements without compromising on style.

E: sales@dqheating.com – T: 01842 810833

MAIN IMAGE: Shown in Anthracite RAL 7016 Matt with additional Towel Bars and Essential Angled Valves in Chrome
INSET IMAGE: Shown in White RAL 9016 Matt

VELA

MAIN AND INSET IMAGE: Shown in Brushed with Essential Angled Valves in White / Chrome with additional towel rail in Brushed

DELTA

VERTICAL & HORIZONTAL

Slimline panels of either brushed or polished stainless steel, set together in four or seven elements, create this striking radiator. The Delta can be positioned horizontally if required.

E: sales@dqheating.com – T: 01842 810833



MATERIAL
• Stainless steel
Grade 304



DELIVERY
• All items in bold
next working day



25 YEAR GUARANTEE



FOR FITTING INSTRUCTIONS VISIT
www.dqheating.com

TECHNICAL INFORMATION

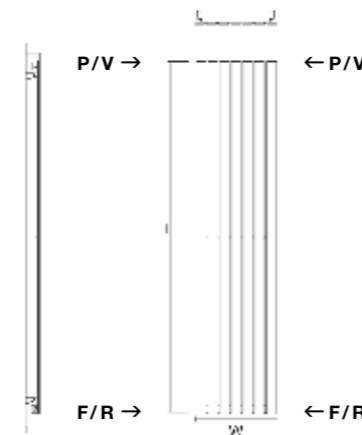
STANDARD CONNECTIONS 1/2" F = Flow P = Plug
R = Return V = Vent

PIPE CENTRES

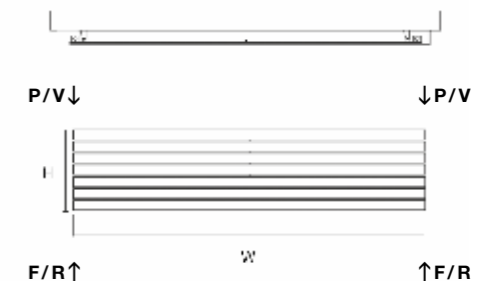
Vertical = radiator width + valves
Horizontal = radiator width - 50mm



Wall to front face = 60-70mm
Wall to pipe centre = 35-45mm



VERTICAL



HORIZONTAL

Model	Height (H) (mm)	Width (W) (mm)	Watts Δt 50°C	Btu's Δt 50°C	Brushed Stainless (inc. VAT)	Polished Stainless (inc. VAT)	RAL Colour Finishes (inc. VAT)	Weight (kgs)
VERTICAL								
Delta 160/4 V	1600	230	631	2155	£625.00	£688.00	£894.00	12
Delta 160/7 V	1600	410	929	3173	£912.00	£1,003.00	£1,304.00	18
Delta 180/4 V	1800	230	697	2380	£697.00	£766.00	£996.00	13
Delta 180/7 V	1800	410	1046	3570	£1,010.00	£1,112.00	£1,446.00	20
Delta 200/4 V	2000	230	774	2644	£767.00	£843.00	£1,096.00	15
Delta 200/7 V	2000	410	1162	3966	£1,125.00	£1,237.00	£1,608.00	22
HORIZONTAL								
Delta 160/4 H	230	1600	631	2155	£625.00	£688.00	£894.00	12
Delta 160/7 H	410	1600	929	3173	£912.00	£1,003.00	£1,304.00	18
Delta 180/4 H	230	1800	697	2380	£697.00	£766.00	£996.00	13
Delta 180/7 H	410	1800	1046	3570	£1,010.00	£1,112.00	£1,446.00	20
Delta 200/4 H	230	2000	774	2644	£767.00	£843.00	£1,096.00	15
Delta 200/7 H	410	2000	1162	3966	£1,125.00	£1,237.00	£1,608.00	22

* All items in bold – Next working day delivery

* All items not in bold – 5-7 working days delivery

VALVES & ACCESSORIES

(Please see pages 141-148)

ADDITIONAL EXTRAS:

- TOWEL BAR TO FIT 230MM WIDE IN BRUSHED + **£55.00**
- TOWEL BAR TO FIT 230MM WIDE IN POLISHED + **£68.00**
- TOWEL BAR TO FIT 410MM WIDE IN BRUSHED + **£75.00**
- TOWEL BAR TO FIT 410MM WIDE IN POLISHED + **£95.00**

AVAILABLE IN THE FOLLOWING FINISHES:



Brushed
Stainless

Polished
Stainless

RAL Colour
page 149

Finishes
page 150

MAIN IMAGE:
Shown in Polished with Jupiter Angled Valves in Brushed Nickel
INSET IMAGE:
Shown in Brushed

COVE

STAINLESS VERTICAL

The stainless steel Cove radiator offers the same excellent design and value for money as the mild steel original but in a superior material. The sleek oval tubes look fantastic in these brushed (with polished ends) and polished stainless finishes.

E: sales@dqheating.com – T: 01842 810833



MATERIAL
• Stainless steel
Grade 304



DELIVERY
• All items in bold next working day



25 YEAR GUARANTEE



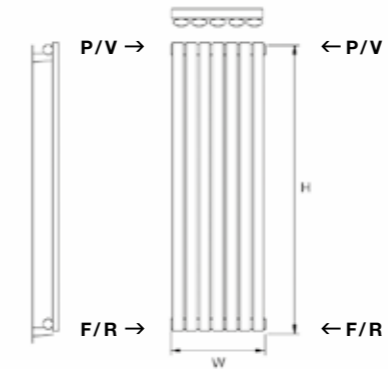
FOR FITTING INSTRUCTIONS VISIT
www.dqheating.com

TECHNICAL INFORMATION

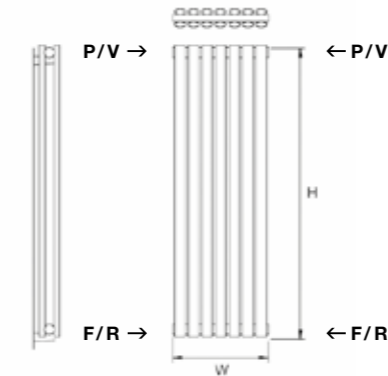
STANDARD CONNECTIONS 1/2" F = Flow P = Plug
R = Return V = Vent

PIPE CENTRES

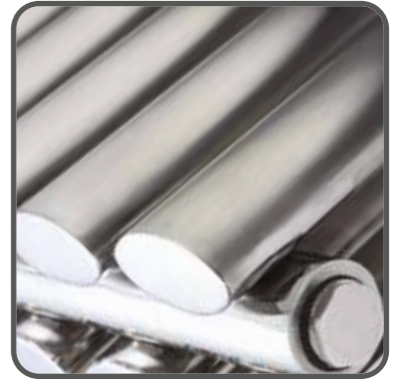
Vertical = radiator width + valves
Horizontal = radiator width - 45mm



SINGLE VERTICAL



DOUBLE VERTICAL



SINGLE VERTICAL

Wall to front face = 105mm
Wall to pipe centre = 65mm

DOUBLE VERTICAL

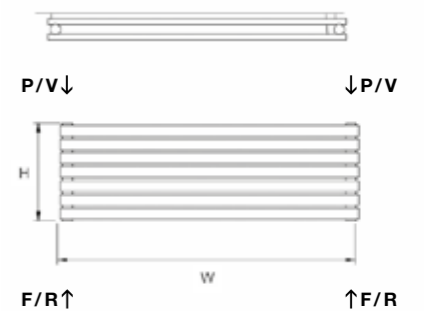
Wall to front face = 105mm
Wall to pipe centre = 65mm

SINGLE HORIZONTAL

Wall to front face = 61mm
Wall to pipe centre = 20mm

DOUBLE HORIZONTAL

Wall to front face = 105mm
Wall to pipe centre = 61mm



Additional horizontal brackets + £26.00 (inc VAT)

Model	Height (H) (mm)	Width (W) (mm)	Watts Δt 50°C	Btu's Δt 50°C	Brushed Stainless (inc VAT)	Polished Stainless (inc VAT)	RAL Colour Finishes (inc VAT)	Weight (kgs)
SINGLE								
Cove S180/5	1800	295	640	2184	£456.00	£456.00	£592.00	15
Cove S180/7	1800	413	895	3054	£607.20	£607.20	£789.00	20
DOUBLE								
Cove S180/5D	1800	295	970	3310	£758.40	£758.40	£985.00	28
Cove S180/7D	1800	413	1365	4657	£1,022.40	£1,022.40	£1,329.00	36

* All items in bold – Next working day delivery

* All items not in bold – 5-7 working days delivery

VALVES & ACCESSORIES

(Please see pages 141-148)

ADDITIONAL EXTRAS:

- HORIZONTAL BRACKETS + **£26.00**
- TOWEL BAR TO FIT 295 & 413 SECTION IN CHROME + **£60.00**
- GRIP PEG IN WHITE OR CHROME + **£24.00**
- VIP HOOK IN WHITE OR CHROME + **£33.60**

AVAILABLE IN THE FOLLOWING FINISHES:





MATERIAL
• Cast Iron



DELIVERY
• Colour 3 weeks
• Polished 4-6 weeks



10 YEAR GUARANTEE ON CASTING



FOR FITTING INSTRUCTIONS VISIT
www.dqheating.com

MAIN IMAGE: Shown in Graphite Black RAL 9011 with Enzo TRV in Antique Brass
INSET IMAGE: Shown in Bright White RAL 9010



TECHNICAL INFORMATION

STANDARD CONNECTIONS 1/2" F = Flow P = Plug
R = Return V = Vent

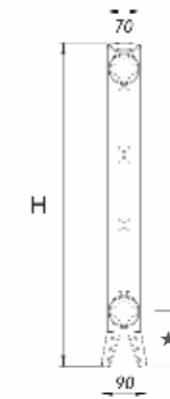
PIPE CENTRES = radiator width + valves



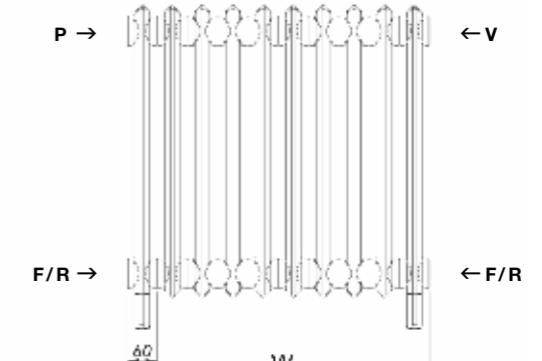
Standard wall stay



Luxury wall stay



★ 105mm on 450 H
95mm on all others



Width = 60mm x no. of sections + 30mm

To price this radiator you will need to calculate how many sections you require. All prices shown are per section.

Model	Height (H) (mm)	Width (W) (mm)	Watts Δt 50°C	Btu's Δt 50°C	Standard Colour (Per Section) (inc VAT)	Little Greene Sanderson F&B & RAL Colour (Per Section) (inc VAT)	Lacquered Satin Polished (Per Section) (inc VAT)	Premium Lacquered Finishes (Per Section) (inc VAT)	Weight (kgs)
CR2/490	490	60	43	147	£54.80	£58.27	£129.14	£145.81	3
CR2/640	640	60	54	184	£72.30	£75.77	£146.64	£163.30	3
CR2/760	760	60	64	218	£86.92	£90.39	£161.26	£177.93	4
CR2/1040	1040	60	88	300	£95.88	£99.35	£170.22	£186.89	6

★ **Please note:** Cast iron radiators are very heavy; due to the weight we can only supply radiators fully assembled up to 1200mm in length. Radiators over 1200mm in length will need to be joined on site, we will supply appropriate nipples and gaskets to do this. There will be a deposit of £60.00 required for the joining tool, which is refundable on return. These radiators will need to be delivered on a pallet and there is an additional £36.00 charge per order.

AVAILABLE IN THE FOLLOWING FINISHES:

VALVES & ACCESSORIES
(Please see pages 141-148)

ADDITIONAL EXTRAS:
• STANDARD WALL STAY + £14.40
• LUXURY WALL STAY (MANY FINISHES AVAILABLE) + £39.60



2 COLUMN

CAST IRON

The cast iron 2 column radiator from DQ is cast in Europe and assembled in the UK. It is available in 4 traditional heights, many wonderful paint finishes and a unique lacquered satin polish finish. All our cast iron radiators undergo an extreme testing process that is unrivalled in the cast iron radiator market. Cast iron radiators have been used in stately homes and some of the finest dwellings since the early 20th century.

E: sales@dqheating.com – T: 01842 810833



MATERIAL
• Cast Iron



DELIVERY
• Colour 3 weeks
• Polished 4-6 weeks



10 YEAR GUARANTEE ON CASTING



FOR FITTING INSTRUCTIONS VISIT
www.dqheating.com

MAIN IMAGE: Shown in Lacquered Polished with Enzo TRV in Pewter
INSET IMAGE: Shown in Bright White RAL 9010

4 COLUMN

CAST IRON

The cast iron 4 column radiator from DQ is a timeless design from the 1930's which is available in 5 traditional heights. With clean, crisp casting lines, an elegant, rounded, smooth shoulder and bold splayed feet – this is, we believe, the definitive 4 column cast iron radiator design. Our cast iron radiators are cast in Europe and finished in one of our many beautiful painted or polished finishes.

E: sales@dqheating.com – T: 01842 810833



TECHNICAL INFORMATION

STANDARD CONNECTIONS 1/2" F = Flow P = Plug
R = Return V = Vent

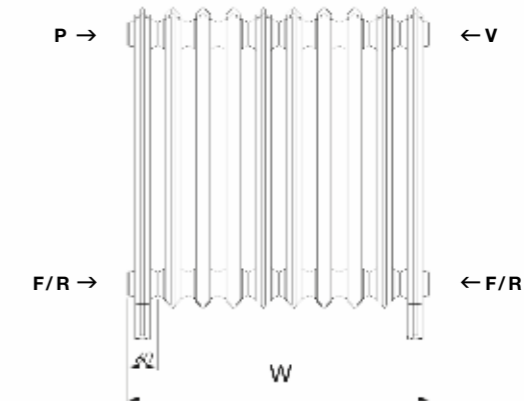
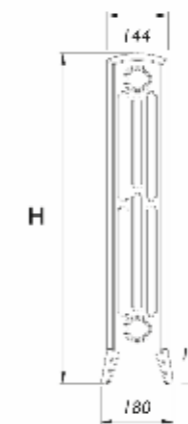
PIPE CENTRES = radiator width + valves



Standard wall stay



Luxury wall stay



Width = 60mm x no. of sections + 30mm

To price this radiator you will need to calculate how many sections you require. All prices shown are per section.

Model	Height (H) (mm)	Width (W) (mm)	Watts Δt 50°C	Btu's Δt 50°C	Standard Colour (Per Section) (inc VAT)	Little Greene Sanderson F&B & RAL Colour (Per Section) (inc VAT)	Lacquered Satin Polished (Per Section) (inc VAT)	Premium Lacquered Finishes (Per Section) (inc VAT)	Weight (kgs)
CR4/360	355	60	47	160	£52.72	£57.23	£128.10	£144.77	4
CR4/480	475	60	62	212	£55.17	£59.73	£130.59	£147.26	4
CR4/660	655	60	87	297	£61.78	£66.46	£137.33	£153.99	6
CR4/760	762	60	101	345	£71.32	£76.18	£147.05	£163.72	7
CR4/960	955	60	125	427	£78.71	£83.73	£154.60	£171.26	8

*** Please note:** Cast iron radiators are very heavy; due to the weight we can only supply radiators fully assembled up to 1200mm in length. Radiators over 1200mm in length will need to be joined on site, we will supply appropriate nipples and gaskets to do this. There will be a deposit of **£60.00** required for the joining tool, which is refundable on return. These radiators will need to be delivered on a pallet and there is an additional **£36.00** charge per order.

AVAILABLE IN THE FOLLOWING FINISHES:

VALVES & ACCESSORIES
(Please see pages 141-148)

ADDITIONAL EXTRAS:
• STANDARD WALL STAY + **£14.40**
• LUXURY WALL STAY
(MANY FINISHES AVAILABLE) + **£39.60**



MAIN IMAGE: Shown in Rose Gold Premium Finish with Enzo Angled TRV in Antique Copper
INSET IMAGE: Shown in Lacquered Polished



BRONTE

CAST IRON

The beautiful Bronte features two columns of elegant scalloped decoration from the late Victorian period, delicately cast with exquisite details. The stylish bohemian foliage extends from the middle of each section to the bottom of the feet and across the shoulders. A timeless design classic, made using original moulds and traditional techniques. DQ's Bronte cast iron radiators are available in four heights. The traditional casting is perhaps the most popular in this range because of its elegant proportions and suitability for most settings.
E: sales@dqheating.com – **T:** 01842 810833

TECHNICAL INFORMATION

STANDARD CONNECTIONS 1/2" F = Flow P = Plug
R = Return V = Vent

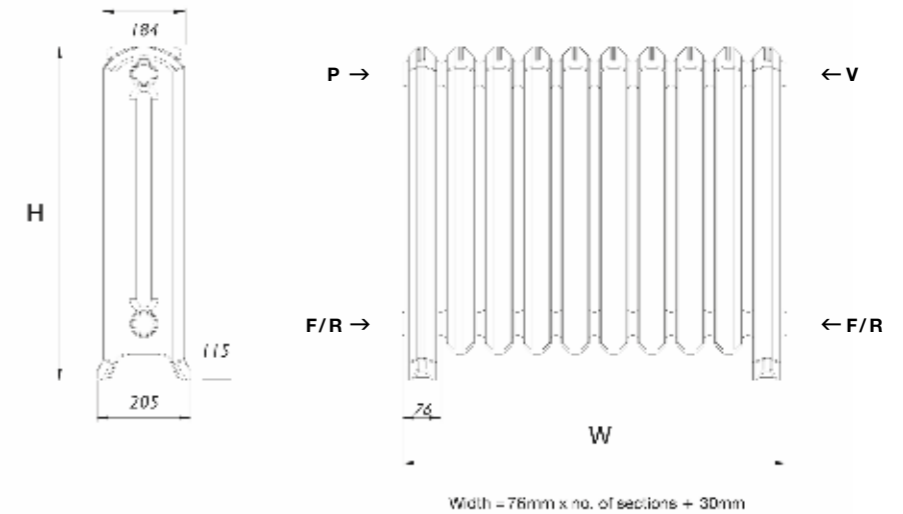
PIPE CENTRES = radiator width + valves



Standard wall stay



Luxury wall stay



To price this radiator you will need to calculate how many sections you require. All prices shown are per section.

Model	Height (H) (mm)	Width (W) (mm)	Watts Δt 50°C	Btu's Δt 50°C	Standard Colour (Per Section) (inc VAT)	Little Greene Sanderson F&B & RAL Colour (Per Section) (inc VAT)	Lacquered Highlight Polished (Per Section) (inc VAT)	Lacquered Satin Polished (Per Section) (inc VAT)	Premium Lacquered Finishes (Per Section) (inc VAT)	Weight (kgs)
CR/BRO/510	510	76	74	252	£90.18	£93.65	£121.05	£164.39	£181.05	8
CR/BRO/660	660	76	105	358	£101.19	£104.66	£132.06	£175.39	£192.06	12
CR/BRO/760	760	76	120	409	£112.68	£116.16	£143.55	£186.89	£203.56	13
CR/BRO/960	960	76	148	505	£128.24	£131.72	£159.11	£202.45	£219.12	15

★ **Please note:** Cast iron radiators are very heavy; due to the weight we can only supply radiators fully assembled up to 1200mm in length. Radiators over 1200mm in length will need to be joined on site, we will supply appropriate nipples and gaskets to do this. There will be a deposit of **£60.00** required for the joining tool, which is refundable on return. These radiators will need to be delivered on a pallet and there is an additional **£36.00** charge per order.

AVAILABLE IN THE FOLLOWING FINISHES:

VALVES & ACCESSORIES
(Please see pages 141-148)

ADDITIONAL EXTRAS:
• STANDARD WALL STAY + **£14.40**
• LUXURY WALL STAY
(MANY FINISHES AVAILABLE) + **£39.60**





MATERIAL
• Cast Iron



DELIVERY
• Colour 3 weeks
• Polished 4-6 weeks



10 YEAR GUARANTEE ON CASTING



FOR FITTING INSTRUCTIONS VISIT
www.dqheating.com

MAIN IMAGE: Shown in Gold Lacquer with Enzo Angled TRV in Antique Brass
INSET IMAGE: Shown in Lacquered Polished

LOXLEY

CAST IRON

These beautiful cast iron radiators feature elegant scalloped decoration from the Edwardian period, delicately cast with exquisite details. The styled bohemian foliage extends from the middle of each section to the bottom of the feet and across the shoulder. A timeless design classically used in stately homes and mansions across Europe since the early 20th century. DQ's Loxley range is available in two heights.

E: sales@dqheating.com – T: 01842 810833

TECHNICAL INFORMATION

STANDARD CONNECTIONS 1/2" F = Flow P = Plug
R = Return V = Vent

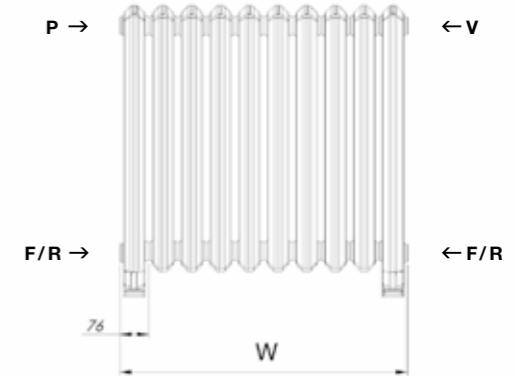
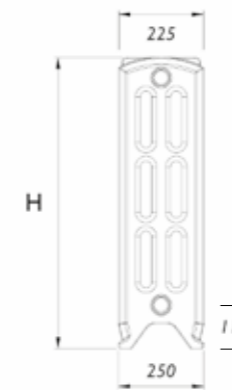
PIPE CENTRES = radiator width + valves



Standard wall stay



Luxury wall stay



Width = 76mm x no. of sections + 30mm



To price this radiator you will need to calculate how many sections you require. All prices shown are per section.

Model	Height (H) (mm)	Width (W) (mm)	Watts Δt 50°C	Btu's Δt 50°C	Standard Colour (Per Section) (inc VAT)	Little Greene Sanderson F&B & RAL Colour (Per Section) (inc VAT)	Lacquered Highlight Polished (Per Section) (inc VAT)	Lacquered Satin Polished (Per Section) (inc VAT)	Premium Lacquered Finishes (Per Section) (inc VAT)	Weight (kgs)
CR/LOX/770	768	76	144	491	£121.09	£124.56	£151.95	£195.29	£211.96	12
CR/LOX/970	970	76	179	611	£147.17	£150.64	£178.04	£221.38	£238.04	15

★ Please note: Cast iron radiators are very heavy; due to the weight we can only supply radiators fully assembled up to 1200mm in length. Radiators over 1200mm in length will need to be joined on site, we will supply appropriate nipples and gaskets to do this. There will be a deposit of **£60.00** required for the joining tool, which is refundable on return. These radiators will need to be delivered on a pallet and there is an additional **£36.00** charge per order.

AVAILABLE IN THE FOLLOWING FINISHES:

VALVES & ACCESSORIES
(Please see pages 141-148)

ADDITIONAL EXTRAS:
• STANDARD WALL STAY + **£14.40**
• LUXURY WALL STAY
(MANY FINISHES AVAILABLE) + **£39.60**



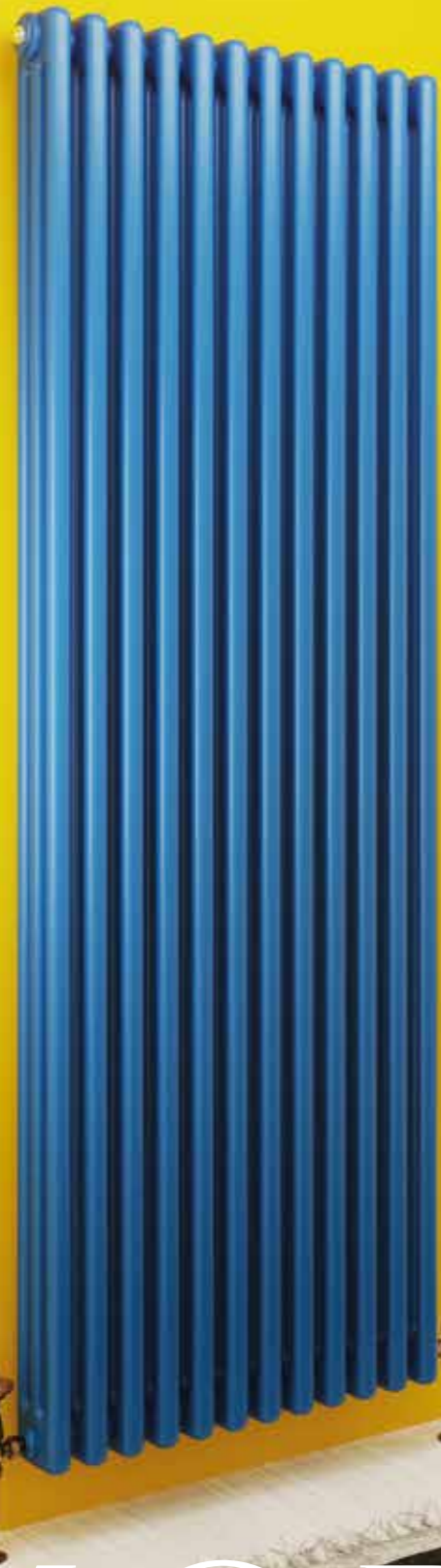
Cast Iron Standard Colours page 151

Little Greene Sanderson F&B & RAL page 149-151

Lacquered Highlight & Satin Polished page 151

Premium Lacquered Finishes page 151

MAIN IMAGE: Shown in Sky Blue RAL 5015 with Enzo Angled Valves in Polished Brass
INSET IMAGE: Shown in M02 Historic Copper



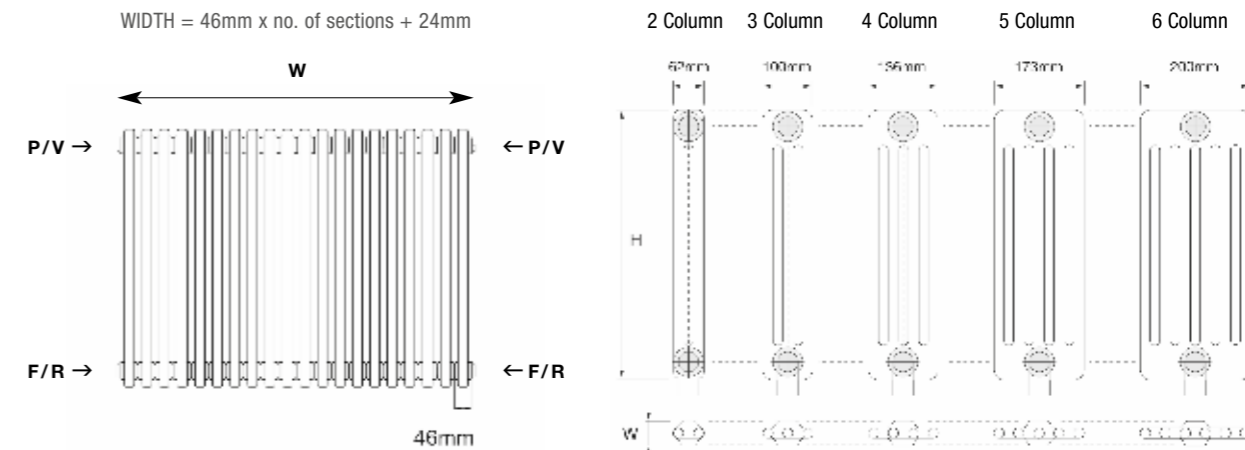
MODUS

This timeless design, taken from its cast iron forefathers, has all the style of a cast radiator with the benefits of steel. Used widely for both modern and period style applications, coupled with a vast array of sizes and fixings available, the Modus is one of the most versatile radiators on the market.

TECHNICAL INFORMATION

STANDARD CONNECTIONS 1/2" F = Flow P = Plug
R = Return V = Vent

PIPE CENTRES = radiator width + valves



The Modus range is available in:

Five column depths, four available fixings, 1/2" or 3/4" tappings with various flow configurations and any RAL colour or finish shown on page 149-150 of this brochure. Standard comes with 1/2" bottom opposite end connections and finished in RAL 9016 (White). All preferences must be specified at time of order – diverter, plug, vent, wall ties and wall brackets are included in the price. Each Modus section regardless of column size is 46mm wide.

Specifying your Modus Radiator:

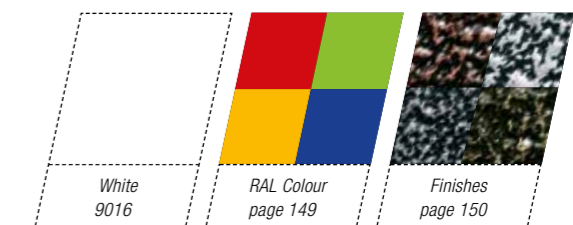
- 1 Choose column depth. 2 Choose height (H). 3 Calculate number of sections – to do this, take the Btu output of chosen section and height from spec table, then divide your required output by this number.
- 4 Choose fixings. 5 Specify if different from standard 1/2" bottom opposite end connections in RAL 9016 (white)

For example: you require a Modus with an output of 6000 Btu to heat your room

- 1 You have chosen your column depth of 4 columns. 2 Chosen your height of 500mm.
 - 3 Calculated your required number of sections (4.500 = 247 Btu, 6000 / 247 = 25 sections).
 - 4 Decided on wall brackets. 5 With 1/2" bottom opposite end connections as standard in RAL 9016 (white).
- So, to meet your requirements you would need to order: Modus 4.500 x 25 sections in RAL 9016 (white) with wall brackets and 1/2" bottom opposite end connections. Output will be 6175 Btu (25 sections x 247 Btu)
Length will be 1174mm (25 sections x 46mm per section + 24mm for reducing bushes).

VALVES & ACCESSORIES
(Please see pages 141-148)

AVAILABLE IN THE FOLLOWING FINISHES:



Model	Height (H) (mm)	Width (W) (mm)	Watts Δt 50°C	Btu's Δt 50°C	White (Per Section) (inc VAT)	RAL Colour Finishes (Per Section) (inc VAT)	Weight (kgs)
2 COLUMN							
Modus 2.190	190	46	15	51	£17.68	£22.98	1
Modus 2.300	300	46	22	75	£17.80	£23.14	1
Modus 2.350	350	46	25	85	£17.84	£23.20	1
Modus 2.400	400	46	28	96	£17.84	£23.20	1
Modus 2.450	450	46	33	113	£18.01	£23.41	1
Modus 2.500	500	46	37	126	£18.01	£23.41	1
Modus 2.550	550	46	41	140	£18.09	£23.52	1
Modus 2.600	600	46	44	150	£18.63	£24.22	1
Modus 2.750	750	46	55	188	£19.58	£25.46	1
Modus 2.900	900	46	67	229	£21.41	£27.83	1
Modus 2.1000	1000	46	73	249	£23.81	£30.95	2
Modus 2.1100	1100	46	79	270	£27.00	£35.09	2
Modus 2.1200	1200	46	86	293	£30.14	£39.18	2
Modus 2.1500	1500	46	106	362	£42.27	£54.95	2
Modus 2.1800	1800	46	125	427	£50.72	£65.94	3
Modus 2.2000	2000	46	140	478	£56.85	£73.90	3
Modus 2.2200	2200	46	154	525	£61.32	£79.71	3
Modus 2.2500	2500	46	174	594	£68.03	£88.43	4
Modus 2.2800	2800	46	195	665	£76.27	£99.15	4
Modus 2.3000	3000	46	209	713	£82.14	£106.79	4

Model	Height (H) (mm)	Width (W) (mm)	Watts Δt 50°C	Btu's Δt 50°C	White (Per Section) (inc VAT)	RAL Colour Finishes (Per Section) (inc VAT)	Weight (kgs)
3 COLUMN							
Modus 3.190	190	46	20	68	£21.12	£27.45	1
Modus 3.300	300	46	31	106	£21.32	£27.72	1
Modus 3.350	350	46	36	123	£21.36	£27.77	1
Modus 3.400	400	46	41	140	£21.36	£27.77	1
Modus 3.450	450	46	46	157	£21.94	£28.53	1
Modus 3.500	500	46	51	174	£21.94	£28.53	1
Modus 3.550	550	46	55	188	£22.32	£29.01	1
Modus 3.600	600	46	60	205	£22.94	£29.82	1
Modus 3.750	750	46	75	256	£24.35	£31.65	2
Modus 3.900	900	46	89	304	£27.99	£36.39	2
Modus 3.1000	1000	46	98	334	£31.05	£40.37	2
Modus 3.1100	1100	46	107	365	£36.93	£48.01	2
Modus 3.1200	1200	46	116	396	£42.65	£55.44	3
Modus 3.1500	1500	46	143	488	£55.98	£72.77	3
Modus 3.1800	1800	46	170	580	£68.90	£89.56	4
Modus 3.2000	2000	46	189	645	£77.30	£100.49	4
Modus 3.2200	2200	46	208	710	£83.84	£108.99	5
Modus 3.2500	2500	46	236	805	£93.28	£121.27	5
Modus 3.2800	2800	46	262	894	£107.40	£139.62	6
Modus 3.3000	3000	46	281	959	£115.76	£150.49	6

Model	Height (H) (mm)	Width (W) (mm)	Watts Δt 50°C	Btu's Δt 50°C	White (Per Section) (inc VAT)	RAL Colour Finishes (Per Section) (inc VAT)	Weight (kgs)
4 COLUMN							
Modus 4.190	190	46	27	92	£26.46	£34.39	1
Modus 4.300	300	46	40	136	£26.62	£34.61	1
Modus 4.350	350	46	47	160	£26.71	£34.72	1
Modus 4.400	400	46	52	177	£26.71	£34.72	1
Modus 4.450	450	46	58	198	£26.79	£34.82	1
Modus 4.500	500	46	65	222	£26.79	£34.82	2
Modus 4.550	550	46	71	242	£27.08	£35.20	2
Modus 4.600	600	46	77	263	£27.08	£35.20	2
Modus 4.750	750	46	95	324	£30.02	£39.02	2
Modus 4.900	900	46	112	382	£34.61	£45.00	3
Modus 4.1000	1000	46	124	423	£36.72	£47.74	3
Modus 4.1100	1100	46	136	464	£46.37	£60.28	3
Modus 4.1200	1200	46	147	502	£55.98	£72.77	4
Modus 4.1500	1500	46	180	614	£69.14	£89.89	4
Modus 4.1800	1800	46	214	730	£84.59	£109.96	5
Modus 4.2000	2000	46	237	809	£94.07	£122.29	6
Modus 4.2200	2200	46	260	887	£101.98	£132.57	6
Modus 4.2500	2500	46	295	1007	£113.82	£147.96	7
Modus 4.2800	2800	46	328	1119	£129.47	£168.31	8
Modus 4.3000	3000	46	351	1198	£139.12	£180.85	9

MATERIAL
• Mild steel

DELIVERY
• 4-5 weeks

5 YEAR GUARANTEE

FOR FITTING INSTRUCTIONS VISIT
www.dqheating.com

Model	Height (H) (mm)	Width (W) (mm)	Watts Δt 50°C	Btu's Δt 50°C	White (Per Section) (inc VAT)	RAL Colour Finishes (Per Section) (inc VAT)	Weight (kgs)
5 COLUMN							
Modus 5.190	190	46	33	113	£29.52	£38.38	1
Modus 5.300	300	46	48	164	£30.02	£39.02	1
Modus 5.350	350	46	56	191	£30.35	£39.45	1
Modus 5.400	400	46	64	218	£30.64	£39.83	2
Modus 5.450	450	46	72	246	£30.93	£40.21	2
Modus 5.500	500	46	80	273	£30.93	£40.21	2
Modus 5.550	550	46	87	297	£31.22	£40.58	2
Modus 5.600	600	46	95	324	£31.43	£40.85	2
Modus 5.750	750	46	117	399	£36.35	£47.26	3
Modus 5.900	900	46	138	471	£42.07	£54.69	3
Modus 5.1000	1000	46	151	515	£46.95	£61.04	4
Modus 5.1100	1100	46	165	563	£55.48	£72.13	4
Modus 5.1200	1200	46	179	611	£63.97	£83.16	4
Modus 5.1500	1500	46	215	734	£84.67	£110.07	6
Modus 5.1800	1800	46	256	873	£103.30	£134.29	7
Modus 5.2000	2000	46	282	962	£113.82	£147.96	7
Modus 5.2200	2200	46	308	1051	£124.00	£161.20	8
Modus 5.2500	2500	46	347	1184	£138.87	£180.53	9
Modus 5.2800	2800	46	385	1314	£158.20	£205.66	10
Modus 5.3000	3000	46	413	1409	£170.83	£222.08	11

Model	Height (H) (mm)	Width (W) (mm)	Watts Δt 50°C	Btu's Δt 50°C	White (Per Section) (inc VAT)	RAL Colour Finishes (Per Section) (inc VAT)	Weight (kgs)
6 COLUMN							
Modus 6.190	190	46	40	136	£35.36	£45.97	1
Modus 6.300	300	46	57	194	£36.52	£47.47	2
Modus 6.350	350	46	66	225	£36.85	£47.90	2
Modus 6.400	400	46	75	256	£36.85	£47.90	2
Modus 6.450	450	46	84	287	£36.97	£48.07	2
Modus 6.500	500	46	94	321	£36.97	£48.07	2
Modus 6.550	550	46	103	351	£38.55	£50.11	3
Modus 6.600	600	46	113	386	£39.66	£51.56	3
Modus 6.750	750	46	137	467	£44.63	£58.02	3
Modus 6.900	900	46	163	556	£53.29	£69.27	4
Modus 6.1000	1000	46	180	614	£57.30	£74.49	5
Modus 6.1100	1100	46	195	665	£68.69	£89.30	5
Modus 6.1200	1200	46	209	713	£79.99	£103.99	5
Modus 6.1500	1500	46	250	853	£103.43	£134.45	7
Modus 6.1800	1800	46	297	1013	£125.41	£163.03	8
Modus 6.2000	2000	46	330	1126	£139.12	£180.85	9
Modus 6.2200	2200	46	359	1225	£150.54	£195.71	10
Modus 6.2500	2500	46	403	1375	£167.81	£218.15	11
Modus 6.2800	2800	46	449	1532	£185.53	£241.19	12
Modus 6.3000	3000	46	481	1641	£200.23	£260.30	13

* 4-5 weeks delivery



* ALL PRICES INCLUDE WALL BRACKETS

AVAILABLE IN THE FOLLOWING FINISHES:



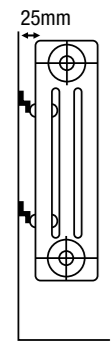
BRACKETS FOR MODUS

MATERIAL
• Mild steel

DELIVERY
• 4-5 weeks

5 YEAR GUARANTEE

FOR FITTING INSTRUCTIONS VISIT
www.dqheating.com



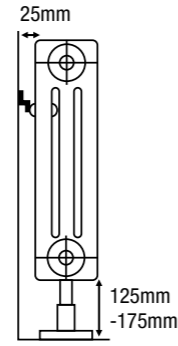
Wall Brackets



WALL BRACKETS FOR MODUS
(WALL BRACKETS ARE INCLUDED IN THE PRICE AS STANDARD)

Additional wall brackets are available at **£39.00** per pair.

(All prices shown are inc VAT)



Floor Brackets



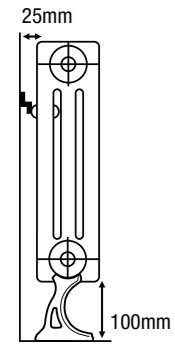
FLOOR BRACKETS FOR MODUS
(ONLY AVAILABLE IN WHITE)

Floor brackets 4-20 Sections (2 brackets) **£66.00**

Floor brackets 21-40 Sections (3 brackets) **£107.00**

Floor brackets 41+ Sections (4 brackets) **£148.00**

(All prices shown are inc VAT)



Cast Feet



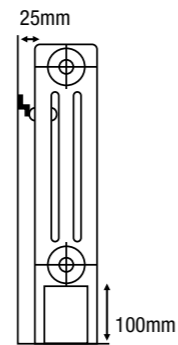
CAST FOOT FOR MODUS

Cast Feet 4-20 Sections (2 feet) **£66.00**

Cast Feet 21-40 Sections (3 feet) **£107.00**

Cast Feet 41+ Sections (4 feet) **£148.00**

(All prices shown are inc VAT)



Slip-on Feet



SLIP-ON FEET FOR MODUS

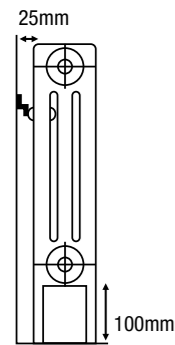
(Slip-on feet are only available for 2, 3 & 4 column only)

Slip-on feet 4-20 Sections (2 feet) **£66.00**

Slip-on feet 21-40 Sections (3 feet) **£107.00**

Slip-on feet 41+ Sections (4 feet) **£148.00**

(All prices shown are inc VAT)



Welded Feet



WELDED FEET FOR MODUS

Welded feet 4-20 Sections (2 feet) **£132.00**

Welded feet 21-40 Sections (3 feet) **£198.00**

Welded feet 41+ Sections (4 feet) **£264.00**

(All prices shown are inc VAT)



• **OPTIONAL TOWEL BAR IN WHITE OR CHROME + £126.00**
(322MM TO FIT 9 SECTION AND ABOVE)

ADDITIONAL EXTRAS:

• **UNDERNEATH CONNECTIONS + £148.00**

When ordering with feet between 21 and 40 sections, we recommend that you order an odd number of sections as these are supplied with three fixings.





Sections	Width	2 Column Height 492mm – Depth 66mm				RAL Colour	RAL Finishes (inc VAT)	Weight (kgs)
		Model	Watts At 50°C	Btu's At 50°C	White (inc VAT)			
3	161	2.500/3	112	381	£67.00	£115.00	2	
4	206	2.500/4	149	508	£89.00	£154.00	3	
5	251	2.500/5	186	635	£111.00	£192.00	4	
6	296	2.500/6	223	762	£133.00	£230.00	5	
7	341	2.500/7	260	888	£156.00	£269.00	6	
8	386	2.500/8	298	1015	£178.00	£307.00	7	
9	431	2.500/9	335	1142	£200.00	£346.00	8	
10	476	2.500/10	372	1269	£222.00	£384.00	9	
11	521	2.500/11	409	1396	£245.00	£422.00	10	
12	566	2.500/12	446	1523	£267.00	£461.00	11	
13	611	2.500/13	484	1650	£289.00	£499.00	12	
14	656	2.500/14	521	1777	£311.00	£538.00	13	
15	701	2.500/15	558	1904	£334.00	£576.00	14	
16	746	2.500/16	595	2031	£356.00	£614.00	15	
17	791	2.500/17	632	2158	£378.00	£653.00	16	
18	836	2.500/18	670	2285	£400.00	£691.00	17	
19	881	2.500/19	707	2412	£423.00	£730.00	18	
20	926	2.500/20	744	2539	£445.00	£768.00	19	
21	971	2.500/21	781	2665	£467.00	£806.00	20	
22	1016	2.500/22	818	2792	£489.00	£845.00	21	
23	1061	2.500/23	856	2919	£512.00	£883.00	22	
24	1106	2.500/24	893	3046	£534.00	£922.00	23	
25	1151	2.500/25	930	3173	£556.00	£960.00	24	
26	1196	2.500/26	967	3300	£578.00	£998.00	25	
27	1241	2.500/27	1004	3427	£601.00	£1,037.00	26	
28	1286	2.500/28	1042	3554	£623.00	£1,075.00	27	
29	1331	2.500/29	1079	3681	£645.00	£1,114.00	28	
30	1376	2.500/30	1116	3808	£667.00	£1,152.00	29	
31	1421	2.500/31	1153	3935	£690.00	£1,190.00	30	
32	1466	2.500/32	1190	4062	£712.00	£1,229.00	31	
33	1511	2.500/33	1228	4189	£734.00	£1,267.00	32	
34	1556	2.500/34	1265	4315	£756.00	£1,306.00	33	
35	1601	2.500/35	1302	4442	£779.00	£1,344.00	34	
36	1646	2.500/36	1339	4569	£801.00	£1,382.00	35	
37	1691	2.500/37	1376	4696	£823.00	£1,421.00	36	
38	1736	2.500/38	1414	4823	£845.00	£1,459.00	37	
39	1781	2.500/39	1451	4950	£868.00	£1,498.00	38	
40	1826	2.500/40	1488	5077	£890.00	£1,536.00	39	

Sections	Width	2 Column Height 592mm – Depth 66mm				RAL Colour	RAL Finishes (inc VAT)	Weight (kgs)
		Model	Watts At 50°C	Btu's At 50°C	White (inc VAT)			
3	161	2.600/3	131	448	£70.00	£119.00	3	
4	206	2.600/4	175	598	£94.00	£158.00	4	
5	251	2.600/5	219	747	£117.00	£198.00	5	
6	296	2.600/6	263	897	£141.00	£238.00	6	
7	341	2.600/7	307	1046	£164.00	£277.00	7	
8	386	2.600/8	350	1196	£188.00	£317.00	8	
9	431	2.600/9	394	1345	£211.00	£356.00	9	
10	476	2.600/10	438	1494	£235.00	£396.00	10	
11	521	2.600/11	482	1644	£258.00	£436.00	11	
12	566	2.600/12	526	1793	£282.00	£475.00	12	
13	611	2.600/13	569	1943	£305.00	£515.00	13	
14	656	2.600/14	613	2092	£329.00	£554.00	14	
15	701	2.600/15	657	2242	£352.00	£594.00	15	
16	746	2.600/16	701	2391	£376.00	£634.00	16	
17	791	2.600/17	745	2541	£399.00	£673.00	17	
18	836	2.600/18	788	2690	£423.00	£713.00	18	
19	881	2.600/19	832	2839	£446.00	£752.00	19	
20	926	2.600/20	876	2989	£470.00	£792.00	20	
21	971	2.600/21	920	3138	£493.00	£832.00	21	
22	1016	2.600/22	964	3288	£517.00	£871.00	22	
23	1061	2.600/23	1007	3437	£540.00	£910.00	23	
24	1106	2.600/24	1051	3587	£564.00	£950.00	24	
25	1151	2.600/25	1095	3736	£587.00	£990.00	25	
26	1196	2.600/26	1139	3886	£611.00	£1,030.00	26	
27	1241	2.600/27	1183	4035	£634.00	£1,069.00	27	
28	1286	2.600/28	1226	4184	£658.00	£1,109.00	28	
29	1331	2.600/29	1270	4334	£681.00	£1,148.00	29	
30	1376	2.600/30	1314	4483	£705.00	£1,188.00	30	
31	1421	2.600/31	1358	4633	£728.00	£1,228.00	31	
32	1466	2.600/32	1402	4782	£751.00	£1,267.00	32	
33	1511	2.600/33	1445	4932	£775.00	£1,307.00	33	
34	1556	2.600/34	1489	5081	£798.00	£1,346.00	34	
35	1601	2.600/35	1533	5231	£822.00	£1,386.00	35	
36	1646	2.600/36	1577	5380	£845.00	£1,426.00	36	
37	1691	2.600/37	1621	5529	£869.00	£1,465.00	37	
38	1736	2.600/38	1664	5679	£892.00	£1,505.00	38	
39	1781	2.600/39	1708	5828	£916.00	£1,544.00	39	
40	1826	2.600/40	1752	5978	£939.00	£1,584.00	40	

Sections	Width	2 Column Height 1792mm – Depth 66mm				RAL Colour	RAL Finishes (inc VAT)	Weight (kgs)
		Model	Watts At 50°C	Btu's At 50°C	White (inc VAT)			
3	161	2.1800/3	373	1273	£130.00	£176.00	8	
4	206	2.1800/4	498	1698	£173.00	£235.00	10	
5	251	2.1800/5	622	2122	£216.00	£294.00	13	
6	296	2.1800/6	746	2547	£260.00	£353.00	15	
7	341	2.1800/7	871	2971	£303.00	£412.00	18	
8	386	2.1800/8	995	3396	£346.00	£470.00	20	
9	431	2.1800/9	1120	3820	£389.00	£529.00	23	
10	476	2.1800/10	1244	4245	£433.00	£588.00	25	
11	521	2.1800/11	1368	4669	£476.00	£647.00	28	
12	566	2.1800/12	1493	5093	£519.00	£706.00	30	
13	611	2.1800/13	1617	5518	£562.00	£764.00	33	
14	656	2.1800/14	1742	5942	£606.00	£823.00	35	
15	701	2.1800/15	1866	6367	£649.00	£882.00	38	
16	746	2.1800/16	1990	6791	£692.00	£941.00	40	
17	791	2.1800/17	2115	7216	£735.00	£1,000.00	43	
18	836	2.1800/18	2239	7640	£779.00	£1,058.00	45	
19	881	2.1800/19	2364	8065	£822.00	£1,117.00	48	
20	926	2.1800/20	2488	8489	£865.00	£1,176.00	50	
21	971	2.1800/21	2612	8914	£908.00	£1,235.00	53	
22	1016	2.1800/22	2737	9338	£952.00	£1,294.00	55	
23	1061	2.1800/23	2861	9762	£995.00	£1,352.00	58	
24	1106	2.1800/24	2986	10187	£1,038.00	£1,410.00	60	
25	1151	2.1800/25	3110	10611	£1,082.00	£1,469.00	63	
26	1196	2.1800/26	3234	11036	£1,125.00	£1,529.00	65	
27	1241	2.1800/27	3359	11460	£1,168.00	£1,588.00	68	
28	1286	2.1800/28	3483	11885	£1,211.00	£1,646.00	70	
29	1331	2.1800/29	3608	12309	£1,255.00	£1,705.00	73	
30	1376	2.1800/30	3732	12734	£1,298.00	£1,764.00	75	
31	1421	2.1800/31	3856	13158	£1,341.00	£1,823.00	78	
32	1466	2.1800/32	3981	13582	£1,384.00	£1,882.00	80	
33	1511	2.1800/33	4105	14007	£1,428.00	£1,940.00	83	
34	1556	2.1800/34	4230	14431	£1,471.00	£1,999.00	85	
35	1601	2.1800/35	4354	14856	£1,514.00	£2,058.00	88	
36	1646	2.1800/36	4478	15280	£1,557.00	£2,117.00	90	
37	1691	2.1800/37	4603	15705	£1,601.00	£2,176.00	93	
38	1736	2.1800/38	4727	16129	£1,644.00	£2,234.00	95	
39	1781	2.1800/39	4852	16554	£1,687.00	£2,293.00	98	
40	1826	2.1800/40	4976	16978	£1,730.00	£2,352.00	100	

Sections	Width	3 Column Height 657mm – Depth 107mm				RAL Colour	RAL Finishes (inc VAT)	Weight (kgs)
		Model	Watts At 50°C	Btu's At 50°C	White (inc VAT)			
3	161	3.660/3	203	692	£70.00	£119.00	5	
4	206	3.660/4	270	923	£94.00	£158.00	6	
5	251	3.660/5	338	1153	£117.00	£198.00	8	
6	296	3.660/6	406	1384	£141.00	£238.00	9	
7	341	3.660/7	473	1615	£164.00	£277.00	11	
8	386	3.660/8	541	1845	£188.00	£317.00	12	
9	431	3.660/9	608	2076	£211.00	£356.00	14	
10	476	3.660/10	676	2307	£235.00	£396.00	16	
11	521	3.660/11	744	2537	£258.00	£436.00	17	
12	566	3.660/12	811	2768	£282.00	£475.00	19	
13	611	3.660/13	879	2998	£305.00	£515.00	20	
14	656	3.660/14	946	3229	£329.00	£554.00	22	
15	701	3.660/15	1014	3460	£352.00	£594.00	23	
16	746	3.660/16	1082	3690	£376.00	£634.00	25	
17	791	3.660/17	1149	3921	£399.00	£673.00	27	
18	836	3.660/18	1217	4152	£423.00	£713.00	28	
19	881	3.660/19	1284	4382	£446.00			

PETA



MATERIAL
• Mild steel



DELIVERY
• All items in bold
2-5 working days



5 YEAR GUARANTEE

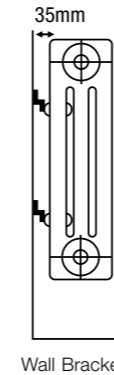


FOR FITTING INSTRUCTIONS VISIT
www.dqheating.com

Sections	Width	4 Column Height 657mm – Depth 148mm				RAL Colour	Weight (kgs)
		Model	Watts Δt 50°C	Btu's Δt 50°C	White (inc VAT)		
3	161	4.660/3	265	903	£78.00	£126.00	6
4	206	4.660/4	353	1204	£104.00	£168.00	8
5	251	4.660/5	441	1505	£130.00	£210.00	10
6	296	4.660/6	529	1806	£156.00	£252.00	13
7	341	4.660/7	617	2107	£182.00	£294.00	15
8	386	4.660/8	706	2408	£208.00	£336.00	17
9	431	4.660/9	794	2709	£234.00	£378.00	19
10	476	4.660/10	882	3009	£260.00	£420.00	21
11	521	4.660/11	970	3310	£286.00	£462.00	23
12	566	4.660/12	1058	3611	£311.00	£504.00	25
13	611	4.660/13	1147	3912	£337.00	£546.00	27
14	656	4.660/14	1235	4213	£363.00	£588.00	29
15	701	4.660/15	1323	4514	£389.00	£630.00	31
16	746	4.660/16	1411	4815	£415.00	£672.00	33
17	791	4.660/17	1499	5116	£441.00	£714.00	36
18	836	4.660/18	1588	5417	£467.00	£756.00	38
19	881	4.660/19	1676	5718	£493.00	£798.00	40
20	926	4.660/20	1764	6019	£519.00	£840.00	42
21	971	4.660/21	1852	6320	£545.00	£882.00	44
22	1016	4.660/22	1940	6621	£571.00	£924.00	46
23	1061	4.660/23	2029	6922	£597.00	£966.00	48
24	1106	4.660/24	2117	7223	£623.00	£1,008.00	50
25	1151	4.660/25	2205	7523	£649.00	£1,050.00	52
26	1196	4.660/26	2293	7824	£675.00	£1,092.00	54
27	1241	4.660/27	2381	8125	£701.00	£1,134.00	56
28	1286	4.660/28	2470	8426	£727.00	£1,176.00	59
29	1331	4.660/29	2558	8727	£753.00	£1,218.00	61
30	1376	4.660/30	2646	9028	£779.00	£1,260.00	63
31	1421	4.660/31	2734	9329	£805.00	£1,302.00	65
32	1466	4.660/32	2822	9630	£831.00	£1,344.00	67
33	1511	4.660/33	2911	9931	£857.00	£1,386.00	69
34	1556	4.660/34	2999	10232	£883.00	£1,428.00	71
35	1601	4.660/35	3087	10533	£909.00	£1,470.00	73
36	1646	4.660/36	3175	10834	£934.00	£1,512.00	75
37	1691	4.660/37	3263	11135	£960.00	£1,554.00	77
38	1736	4.660/38	3352	11436	£986.00	£1,596.00	79
39	1781	4.660/39	3440	11737	£1,012.00	£1,638.00	82
40	1826	4.660/40	3528	12038	£1,038.00	£1,680.00	84

Sections	Width	4 Column Height 742mm – Depth 148mm				RAL Colour	Weight (kgs)
		Model	Watts Δt 50°C	Btu's Δt 50°C	White (inc VAT)		
3	161	4.750/3	296	1009	£89.00	£133.00	7
4	206	4.750/4	394	1346	£119.00	£178.00	9
5	251	4.750/5	493	1682	£148.00	£222.00	12
6	296	4.750/6	592	2019	£178.00	£266.00	14
7	341	4.750/7	690	2355	£208.00	£311.00	16
8	386	4.750/8	789	2691	£237.00	£355.00	18
9	431	4.750/9	887	3028	£267.00	£400.00	21
10	476	4.750/10	986	3364	£297.00	£444.00	23
11	521	4.750/11	1085	3701	£326.00	£488.00	25
12	566	4.750/12	1183	4037	£356.00	£533.00	28
13	611	4.750/13	1282	4374	£386.00	£577.00	30
14	656	4.750/14	1380	4710	£415.00	£622.00	32
15	701	4.750/15	1479	5046	£445.00	£666.00	35
16	746	4.750/16	1578	5383	£475.00	£710.00	37
17	791	4.750/17	1676	5719	£504.00	£755.00	39
18	836	4.750/18	1775	6056	£534.00	£799.00	42
19	881	4.750/19	1873	6392	£564.00	£844.00	44
20	926	4.750/20	1972	6728	£593.00	£888.00	46
21	971	4.750/21	2071	7065	£623.00	£932.00	49
22	1016	4.750/22	2169	7401	£653.00	£977.00	51
23	1061	4.750/23	2268	7738	£682.00	£1,021.00	53
24	1106	4.750/24	2366	8074	£712.00	£1,066.00	55
25	1151	4.750/25	2465	8411	£742.00	£1,110.00	58
26	1196	4.750/26	2564	8747	£771.00	£1,154.00	60
27	1241	4.750/27	2662	9083	£801.00	£1,199.00	62
28	1286	4.750/28	2761	9420	£831.00	£1,243.00	65
29	1331	4.750/29	2859	9756	£860.00	£1,288.00	67
30	1376	4.750/30	2958	10093	£890.00	£1,332.00	69
31	1421	4.750/31	3057	10429	£920.00	£1,376.00	72
32	1466	4.750/32	3155	10766	£949.00	£1,421.00	74
33	1511	4.750/33	3254	11102	£979.00	£1,465.00	76
34	1556	4.750/34	3352	11438	£1,009.00	£1,510.00	79
35	1601	4.750/35	3451	11775	£1,038.00	£1,554.00	81
36	1646	4.750/36	3550	12111	£1,068.00	£1,598.00	83
37	1691	4.750/37	3648	12448	£1,098.00	£1,643.00	85
38	1736	4.750/38	3747	12784	£1,127.00	£1,687.00	88
39	1781	4.750/39	3845	13121	£1,157.00	£1,732.00	90
40	1826	4.750/40	3944	13457	£1,187.00	£1,776.00	92

Sections	Width	6 Column Height 292mm – Depth 230mm				RAL Colour	Weight (kgs)
		Model	Watts Δt 50°C	Btu's Δt 50°C	White (inc VAT)		
3	161	6.300/3	189	644	£130.00	£173.00	5
4	206	6.300/4	252	858	£173.00	£230.00	6
5	251	6.300/5	315	1073	£216.00	£288.00	8
6	296	6.300/6	377	1288	£260.00	£346.00	9
7	341	6.300/7	440	1502	£303.00	£403.00	11
8	386	6.300/8	503	1717	£346.00	£461.00	12
9	431	6.300/9	566	1932	£389.00	£518.00	14
10	476	6.300/10	629	2146	£433.00	£576.00	15
11	521	6.300/11	692	2361	£476.00	£634.00	17
12	566	6.300/12	755	2575	£519.00	£691.00	18
13	611	6.300/13	818	2790	£562.00	£749.00	20
14	656	6.300/14	881	3005	£606.00	£806.00	21
15	701	6.300/15	944	3219	£649.00	£864.00	23
16	746	6.300/16	1006	3434	£692.00	£922.00	24
17	791	6.300/17	1069	3648	£735.00	£979.00	26
18	836	6.300/18	1132	3863	£779.00	£1,037.00	27
19	881	6.300/19	1195	4078	£822.00	£1,094.00	29
20	926	6.300/20	1258	4292	£865.00	£1,152.00	30
21	971	6.300/21	1321	4507	£908.00	£1,210.00	32
22	1016	6.300/22	1384	4722	£952.00	£1,267.00	33
23	1061	6.300/23	1447	4936	£995.00	£1,325.00	35
24	1106	6.300/24	1510	5151	£1,038.00	£1,382.00	36
25	1151	6.300/25	1573	5365	£1,082.00	£1,440.00	38
26	1196	6.300/26	1635	5580	£1,125.00	£1,498.00	39
27	1241	6.300/27	1698	5795	£1,168.00	£1,555.00	41
28	1286	6.300/28	1761	6009	£1,211.00	£1,613.00	42
29	1331	6.300/29	1824	6224	£1,255.00	£1,670.00	44
30	1376	6.300/30	1887	6438	£1,298.00	£1,728.00	45
31	1421	6.300/31	1950	6653	£1,341.00	£1,786.00	47
32	1466	6.300/32	2013	6868	£1,384.00	£1,843.00	48
33	1511	6.300/33	2076	7082	£1,428.00	£1,901.00	50
34	1556	6.300/34	2139	7297	£1,471.00	£1,958.00	51
35	1601	6.300/35	2202	7512	£1,514.00	£2,016.00	53
36	1646	6.300/36	2264	7726	£1,557.00	£2,074.00	54
37	1691	6.300/37	2327	7941	£1,601.00	£2,131.00	56
38	1736	6.300/38	2390	8155	£1,644.00	£2,189.00	57
39	1781	6.300/39	2453	8370	£1,687.00	£2,246.00	59
40	1826	6.300/40	2516	8585	£1,730.00	£2,304.00	60

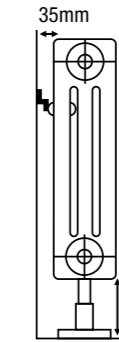


Wall Brackets



WALL BRACKETS FOR PETA
(WALL BRACKETS ARE INCLUDED IN THE PRICE AS STANDARD)

Additional wall brackets are available at **£39.00** per pair.



Floor Brackets

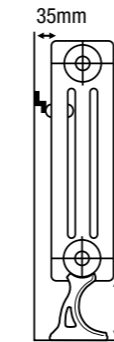


FLOOR BRACKETS FOR PETA
(ONLY AVAILABLE IN WHITE)

Floor brackets 4-20 Sections (2 brackets) **£66.00**

Floor brackets 21-40 Sections (3 brackets) **£99.00**

Floor brackets 41+ Sections (4 brackets) **£132.00**



Cast Feet

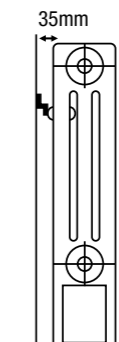


CAST FOOT FOR PETA

Cast Feet 4-20 Sections (2 feet) **£66.00**

Cast Feet 21-40 Sections (3 feet) **£99.00**

Cast Feet 41+ Sections (4 feet) **£132.00**



Slip-on Feet



SLIP-ON FEET FOR PETA

Slip-on feet 4-20 Sections (2 feet) **£66.00**

Slip-on feet 21-40 Sections (3 feet) **£99.00**

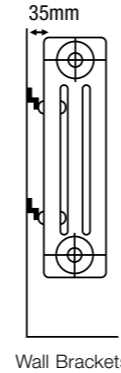
Slip-on feet 41+ Sections (4 feet) **£132.00**

Sections	Width	2 Column Height 592mm – Depth 66mm				
		Model	Watts	Btu's	Varnish (inc VAT)	Weight (kgs)
			At 50°C	At 50°C		
3	161	A2.600/3	131	448	£126.00	3
4	206	A2.600/4	175	598	£168.00	4
5	251	A2.600/5	219	747	£210.00	5
6	296	A2.600/6	263	897	£252.00	6
7	341	A2.600/7	307	1046	£294.00	7
8	386	A2.600/8	350	1196	£336.00	8
9	431	A2.600/9	394	1345	£378.00	9
10	476	A2.600/10	438	1494	£420.00	10
11	521	A2.600/11	482	1644	£462.00	11
12	566	A2.600/12	526	1793	£504.00	12
13	611	A2.600/13	569	1943	£546.00	12
14	656	A2.600/14	613	2092	£588.00	13
15	701	A2.600/15	657	2242	£630.00	14
16	746	A2.600/16	701	2391	£672.00	15
17	791	A2.600/17	745	2541	£714.00	16
18	836	A2.600/18	788	2690	£756.00	17
19	881	A2.600/19	832	2839	£798.00	18
20	926	A2.600/20	876	2989	£840.00	19
21	971	A2.600/21	920	3138	£882.00	20
22	1016	A2.600/22	964	3288	£924.00	21
23	1061	A2.600/23	1007	3437	£966.00	22
24	1106	A2.600/24	1051	3587	£1,008.00	23
25	1151	A2.600/25	1095	3736	£1,050.00	24
26	1196	A2.600/26	1139	3886	£1,092.00	25
27	1241	A2.600/27	1183	4035	£1,134.00	26
28	1286	A2.600/28	1226	4184	£1,176.00	27
29	1331	A2.600/29	1270	4334	£1,218.00	28
30	1376	A2.600/30	1314	4483	£1,260.00	29
31	1421	A2.600/31	1358	4633	£1,302.00	30
32	1466	A2.600/32	1402	4782	£1,344.00	31
33	1511	A2.600/33	1445	4932	£1,386.00	32
34	1556	A2.600/34	1489	5081	£1,428.00	33
35	1601	A2.600/35	1533	5231	£1,470.00	34
36	1646	A2.600/36	1577	5380	£1,512.00	35
37	1691	A2.600/37	1621	5529	£1,554.00	36
38	1736	A2.600/38	1664	5679	£1,596.00	36
39	1781	A2.600/39	1708	5828	£1,638.00	37
40	1826	A2.600/40	1752	5978	£1,680.00	38

Sections	Width	2 Column Height 1992mm – Depth 66mm				
		Model	Watts	Btu's	Varnish (inc VAT)	Weight (kgs)
			At 50°C	At 50°C		
3	161	A2.2000/3	416	1419	£299.00	8
4	206	A2.2000/4	555	1894	£398.00	11
5	251	A2.2000/5	694	2368	£498.00	14
6	296	A2.2000/6	832	2839	£598.00	17
7	341	A2.2000/7	971	3313	£697.00	20
8	386	A2.2000/8	1110	3787	£797.00	22
9	431	A2.2000/9	1248	4258	£896.00	25
10	476	A2.2000/10	1387	4732	£996.00	28
11	521	A2.2000/11	1526	5207	£1,096.00	31
12	566	A2.2000/12	1664	5678	£1,195.00	33
13	611	A2.2000/13	1803	6152	£1,295.00	36
14	656	A2.2000/14	1942	6626	£1,394.00	39
15	701	A2.2000/15	2081	7100	£1,494.00	42
16	746	A2.2000/16	2219	7571	£1,594.00	45
17	791	A2.2000/17	2358	8045	£1,693.00	47
18	836	A2.2000/18	2497	8520	£1,793.00	50
19	881	A2.2000/19	2635	8991	£1,892.00	53
20	926	A2.2000/20	2774	9465	£1,992.00	56
21	971	A2.2000/21	2913	9939	£2,092.00	59
22	1016	A2.2000/22	3051	10410	£2,191.00	61
23	1061	A2.2000/23	3190	10884	£2,291.00	64
24	1106	A2.2000/24	3329	11359	£2,390.00	67
25	1151	A2.2000/25	3468	11833	£2,490.00	70
26	1196	A2.2000/26	3606	12304	£2,590.00	73
27	1241	A2.2000/27	3745	12778	£2,689.00	75
28	1286	A2.2000/28	3884	13252	£2,789.00	78
29	1331	A2.2000/29	4022	13723	£2,888.00	81
30	1376	A2.2000/30	4161	14197	£2,988.00	84
31	1421	A2.2000/31	4300	14672	£3,088.00	86
32	1466	A2.2000/32	4438	15142	£3,187.00	89
33	1511	A2.2000/33	4577	15617	£3,287.00	92
34	1556	A2.2000/34	4716	16091	£3,386.00	95
35	1601	A2.2000/35	4855	16565	£3,486.00	98
36	1646	A2.2000/36	4993	17036	£3,586.00	100
37	1691	A2.2000/37	5132	17510	£3,685.00	103
38	1736	A2.2000/38	5271	17985	£3,785.00	106
39	1781	A2.2000/39	5409	18456	£3,884.00	109
40	1826	A2.2000/40	5548	18930	£3,984.00	112

Sections	Width	3 Column Height 592mm – Depth 107mm				
		Model	Watts	Btu's	Varnish (inc VAT)	Weight (kgs)
			At 50°C	At 50°C		
3	161	A3.600/3	185	631	£112.00	4
4	206	A3.600/4	246	841	£149.00	6
5	251	A3.600/5	308	1051	£186.00	7
6	296	A3.600/6	370	1261	£223.00	8
7	341	A3.600/7	431	1471	£260.00	10
8	386	A3.600/8	493	1681	£298.00	11
9	431	A3.600/9	554	1892	£335.00	13
10	476	A3.600/10	616	2102	£372.00	14
11	521	A3.600/11	678	2312	£409.00	15
12	566	A3.600/12	739	2522	£446.00	17
13	611	A3.600/13	801	2732	£484.00	18
14	656	A3.600/14	862	2943	£521.00	20
15	701	A3.600/15	924	3153	£558.00	21
16	746	A3.600/16	986	3363	£595.00	22
17	791	A3.600/17	1047	3573	£632.00	24
18	836	A3.600/18	1109	3783	£670.00	25
19	881	A3.600/19	1170	3993	£707.00	27
20	926	A3.600/20	1232	4204	£744.00	28
21	971	A3.600/21	1294	4414	£781.00	29
22	1016	A3.600/22	1355	4624	£818.00	31
23	1061	A3.600/23	1417	4834	£856.00	32
24	1106	A3.600/24	1478	5044	£893.00	34
25	1151	A3.600/25	1540	5254	£930.00	35
26	1196	A3.600/26	1602	5465	£967.00	36
27	1241	A3.600/27	1663	5675	£1,004.00	38
28	1286	A3.600/28	1725	5885	£1,042.00	39
29	1331	A3.600/29	1786	6095	£1,079.00	41
30	1376	A3.600/30	1848	6305	£1,116.00	42
31	1421	A3.600/31	1910	6516	£1,153.00	43
32	1466	A3.600/32	1971	6726	£1,190.00	45
33	1511	A3.600/33	2033	6936	£1,228.00	46
34	1556	A3.600/34	2094	7146	£1,265.00	48
35	1601	A3.600/35	2156	7356	£1,302.00	49
36	1646	A3.600/36	2218	7566	£1,339.00	50
37	1691	A3.600/37	2279	7777	£1,376.00	52
38	1736	A3.600/38	2341	7987	£1,414.00	53
39	1781	A3.600/39	2402	8197	£1,451.00	55
40	1826	A3.600/40	2464	8407	£1,488.00	56

BRACKETS FOR ADARA



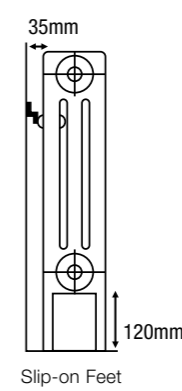
Wall Brackets



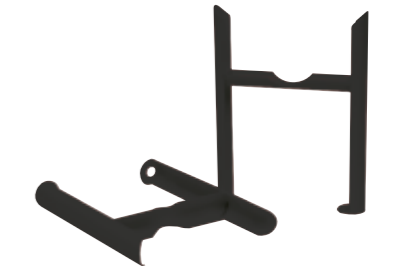
WALL BRACKETS FOR ADARA
(WALL BRACKETS ARE INCLUDED IN THE PRICE AS STANDARD)

Additional wall brackets are available at **£39.00** per pair.

(All prices shown are inc VAT)



Slip-on Feet



SLIP-ON FEET FOR ADARA

Slip-on feet 4-20 Sections (2 feet) **£100.00**

Slip-on feet 21-40 Sections (3 feet) **£150.00**

Slip-on feet 41+ Sections (4 feet) **£200.00**

(All prices shown are inc VAT)

When ordering with feet between 21 and 40 sections, we recommend that you order an odd number of sections as these are supplied with three fixings.

★ All items in bold – 2-5 working days delivery ★ All prices shown are inc VAT

Sections	Width	3 Column Height 892mm – Depth 107mm				
		Model	Watts	Btu's	Varnish (inc VAT)	Weight (kgs)
			At 50°C	At 50°C		
3	161	A3.900/3	267	910	£148.00	6
4	206	A3.900/4	356	1213	£197.00	8
5	251	A3.900/5	445	1517	£246.00	10
6	296	A3.900/6	533	1820	£295.00	12
7	341	A3.900/7	622	2123	£344.00	14
8	386	A3.900/8	711	2427	£394.00	16
9	431	A3.900/9	800	2730	£443.00	18
10	476	A3.900/10	889	3033	£492.00	20
11	521	A3.900/11	978	3337	£541.00	22
12	566	A3.900/12	1067	3640	£590.00	24
13	611	A3.900/13	1156	3943	£640.00	26
14	656	A3.900/14	1245	4247	£689.00	28
15	701	A3.900/15	1334	4550	£738.00	30
16	746	A3.900/16	1422	4853	£787.00	32
17	791	A3.900/17	1511	5157	£836.00	34
18	836	A3.900/18	1600	5460	£886.00	36
19	881	A3.900/19	1689	5763	£935.00	38
20	926	A3.900/20	1778	6067	£984.00	40
21	971	A3.900/21	1867	6370	£1,033.00	42
22	1016	A3.900/22	1956	6673	£1,082.00	44
23	1061	A3.900/23	2045	6977	£1,132.00	46
24	1106	A3.900/24	2134	7280	£1,181.00	48
25	1151	A3.900/25	2223	7583	£1,230.00	50
26	1196	A3.900/26	2311	7886	£1,279.00	52
27	1241	A3.900/27	2400	8190	£1,328.00	54



MATERIAL
• Mild steel



DELIVERY
• 4-5 weeks



5 YEAR GUARANTEE



FOR FITTING INSTRUCTIONS VISIT
www.dqheating.com

MAIN IMAGE: Shown in Grey Aluminium RAL 9007 with Essential Straight Valves in Chrome
INSET IMAGE: Shown in White RAL 9010

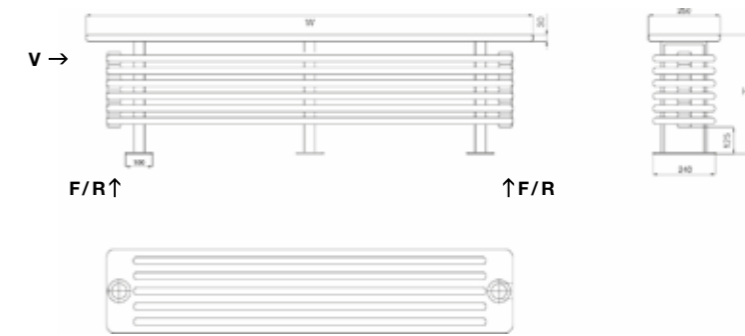
BENCH

This superb dual purpose column radiator gives an excellent heat output, whilst the veneered oak wood top offers comfort and practicality.

E: sales@dqheating.com – T: 01842 810833

TECHNICAL INFORMATION

STANDARD CONNECTIONS 1/2"
F = Flow
R = Return
V = Vent



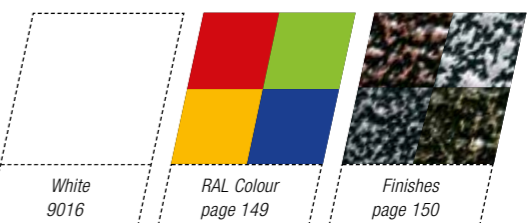
Model	Height (H) (mm)	Width (W) (mm)	Pipe Centres (mm)	Watts Δt 50°C	Btu's Δt 50°C	White (inc VAT)	RAL Colour Finishes (inc VAT)	Weight (kgs)
Bench 5/700	434	700	530	565	1928	£737.00	£958.00	26
Bench 5/850	434	850	680	685	2337	£810.00	£1,054.00	29
Bench 5/1000	434	1000	830	815	2781	£900.00	£1,170.00	34
Bench 5/1300	434	1300	1130	1045	3566	£1,112.00	£1,445.00	42
Bench 5/1600	434	1600	1430	1250	4265	£1,345.00	£1,748.00	48
Bench 5/1900	434	1900	1730	1485	5067	£1,541.00	£2,004.00	54
Bench 5/2100	434	2100	1930	1650	5630	£1,672.00	£2,173.00	60
Bench 5/2600	434	2600	2430	2015	6875	£2,071.00	£2,692.00	80
Bench 5/2900	434	2900	2730	2245	7660	£2,271.00	£2,952.00	87
Bench 6/700	480	700	530	678	2313	£778.00	£1,012.00	30
Bench 6/850	480	850	680	822	2805	£855.00	£1,112.00	34
Bench 6/1000	480	1000	830	978	3337	£953.00	£1,240.00	41
Bench 6/1300	480	1300	1130	1254	4279	£1,191.00	£1,549.00	50
Bench 6/1600	480	1600	1430	1500	5118	£1,447.00	£1,882.00	58
Bench 6/1900	480	1900	1730	1782	6080	£1,661.00	£2,159.00	68
Bench 6/2100	480	2100	1930	1980	6756	£1,802.00	£2,342.00	77
Bench 6/2600	480	2600	2430	2418	8250	£2,229.00	£2,898.00	86
Bench 6/2900	480	2900	2730	2694	9192	£2,331.00	£3,031.00	104

* 4-5 weeks for delivery

VALVES & ACCESSORIES
(Please see pages 141-148)

Other wooden bench tops are available on request.

AVAILABLE IN THE FOLLOWING FINISHES:





NEW IMPROVED



We can supply Trench Heating with the option of Oak or Aluminium top grilles, please specify at the time of order.



ALUMINIUM



OAK



- Casing made of galvanised steel sheet in RAL 9005 black.
- Highly efficient copper-aluminium heat exchanger with air vent.
- Modern fan with silent and efficient 24 V DC motor.
- Fastening anchors
- Trench positioning adjustment system.
- Decorative frames that run around the trench casing.
- Choice of either aluminium or oak top grille (please specify at time of order).
- New Wi-Fi digital room thermostat.

TRENCH

HEATING

High thermal output and energy efficiency complemented by minimum noise level! Our new and improved Trench Heaters use silent fans with forced convection to achieve a very high thermal efficiency within small depths, allowing the Trench to be used in many environments, especially rooms with large glazed partitions.

E: sales@dqheating.com – T: 01842 810833

Model	Length (mm)	Width (mm)	Depth (mm)	Watts Δt 50°C	Btu's Δt 50°C	Price (inc VAT)	Weight (kgs)
Trench S850	850	250	100	283-820	966-2798	£1,580.00	12
Trench S1250	1250	250	100	579-1676	1976-5719	£1,760.00	15
Trench S1650	1650	250	100	873-2528	2979-8626	£2,065.00	18
Trench S2050	2050	250	100	669-1939	2283-6616	£2,375.00	25

* For other sizes please contact our sales office on 01842 810833

* Next working day delivery



MATERIAL
• Aluminium



DELIVERY
• Next working day



5 YEAR GUARANTEE



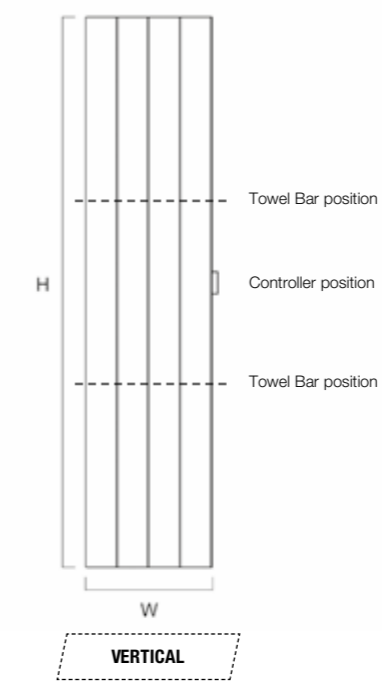
FOR FITTING INSTRUCTIONS VISIT
www.dqheating.com



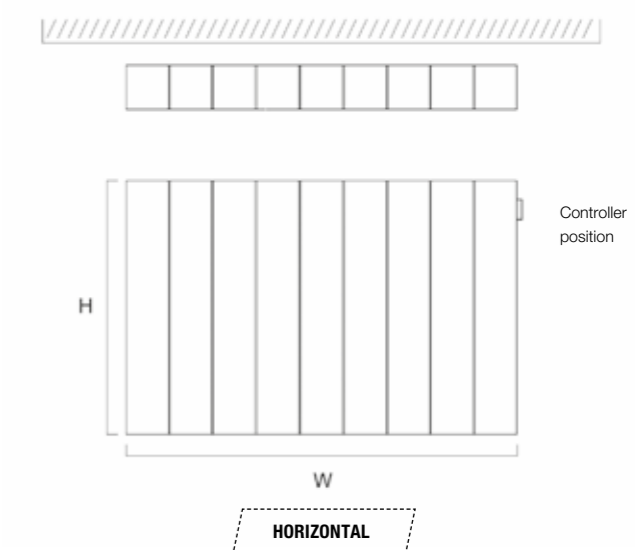
MAIN IMAGE: Shown in Anthracite RAL 7016 Matt
INSET IMAGE: Shown in Anthracite RAL 7016 Matt and showing controller

100% RECYCLED ALUMINIUM

Wall to front face = 90mm



VERTICAL



HORIZONTAL



Model	Height (H) (mm)	Width (W) (mm)	Electric Element Wattage	White Matt (inc VAT)	Anthracite Matt (inc VAT)	Weight (kgs)
VERTICAL						
Vela-E 190/3	1900	367	1500	£1,119.00	£1,119.00	21
Vela-E 190/4	1900	488	2000	£1,318.00	£1,318.00	27
HORIZONTAL						
Vela-E 60/3	600	367	420	£786.00	£786.00	7
Vela-E 60/5	600	610	700	£1,041.00	£1,041.00	11
Vela-E 60/7	600	853	980	£1,311.00	£1,311.00	15
Vela-E 60/9	600	1096	1260	£1,582.00	£1,582.00	19

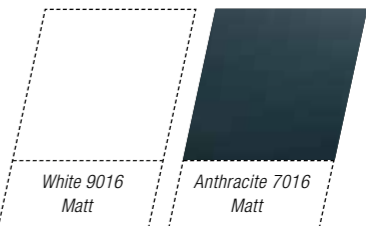
* Next working day delivery

VALVES & ACCESSORIES
(Please see pages 141-148)

ADDITIONAL EXTRAS:
• **ADDITIONAL TOWEL BAR IN POLISHED.**
SIZES 367MM & 488MM
FOR VERTICAL ONLY
+ £132.00 EACH



AVAILABLE IN THE FOLLOWING FINISHES:



VELA

ELECTRIC

The Vela electric is heated using a revolutionary new concept which emits heat efficiently and consistently unlike many other electric radiators. There are no cold spots or slow heat up times and it comes with a stylish controller that is built in and easy to use. This electric product has an IP rating of IPX4.

E: sales@dqheating.com – T: 01842 810833



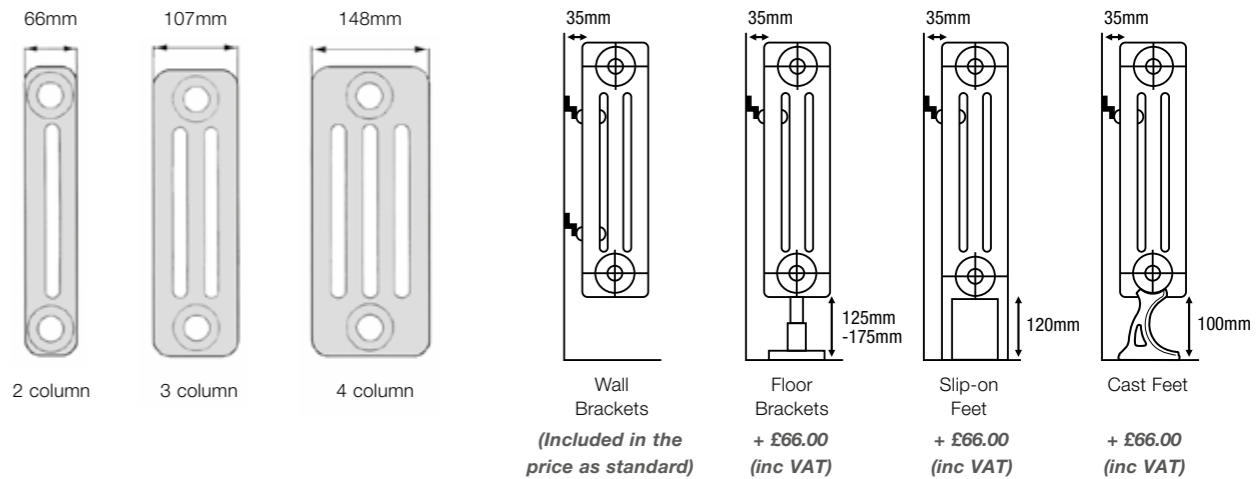
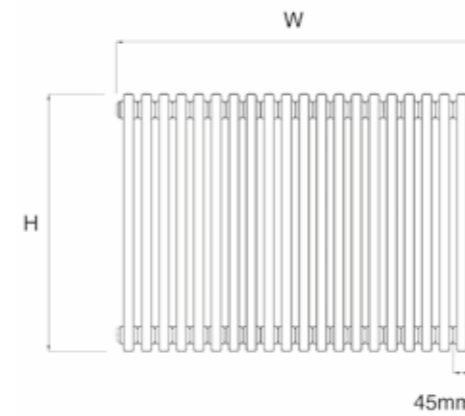
IMAGE ABOVE:
Controller

IMAGE TOP LEFT:
Black nickel lacquer

IMAGE ABOVE:
White RAL 9010

PETA

ELECTRIC The electric only version of our classic Peta column radiator is now available with a wifi heating element to fully comply with the new EcoDesign Directive legislation. Lot 20 is new EU legislation designed to remove inefficient technologies and reduce the energy used by products that heat our homes. This will help to achieve the UK's overall carbon reduction targets. The radiator and element are available in a massive selection of finishes to suit your exact requirements. To see exactly which colours are available on each product, please see pages 149 & 150 for the radiator finishes and pages 138 & 140 for the elements - **E:** sales@dqheating.com - **T:** 01842 810833



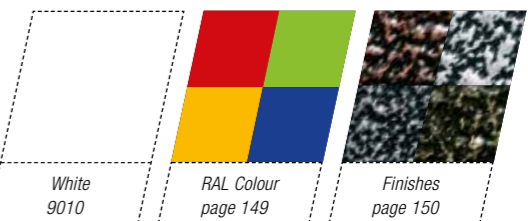
Model	Height (mm)	Width (mm)	No. of Sections	Electric Element Wattage	White (inc VAT)	RAL Colour Finishes (inc VAT)	Weight (kgs)
2 COLUMN							
Peta-E 2.600/10	592	536	10	600	£474.00	£708.00	20
Peta-E 2.600/15	592	761	15	900	£594.00	£828.00	27
Peta-E 2.600/20	592	986	20	1200	£715.00	£948.00	35
3 COLUMN							
Peta-E 3.500/10	492	536	10	600	£501.00	£735.00	25
Peta-E 3.500/15	492	761	15	900	£634.00	£868.00	35
Peta-E 3.500/20	492	986	20	1500	£768.00	£1,002.00	45
Peta-E 3.600/10	592	536	10	900	£501.00	£735.00	28
Peta-E 3.600/15	592	761	15	1200	£634.00	£868.00	40
Peta-E 3.600/20	592	986	20	1500	£768.00	£1,002.00	51
4 COLUMN							
Peta-E 4.500/10	492	536	10	900	£541.00	£775.00	31
Peta-E 4.500/15	492	761	15	1500	£695.00	£928.00	44
Peta-E 4.500/20	492	986	20	2000	£848.00	£1,082.00	57
Peta-E 4.600/10	592	536	10	1200	£541.00	£775.00	35
Peta-E 4.600/15	592	761	15	1500	£695.00	£928.00	50
Peta-E 4.600/20	592	986	20	2000	£848.00	£1,082.00	65

* All items in bold – 1 week delivery

* All items not in bold – 3 weeks delivery

VALVES & ACCESSORIES
(Please see pages 138-148)

AVAILABLE IN THE FOLLOWING FINISHES:



MAIN AND INSET IMAGE:
Shown in Infinity Steel with Essential Angled Valves in Chrome



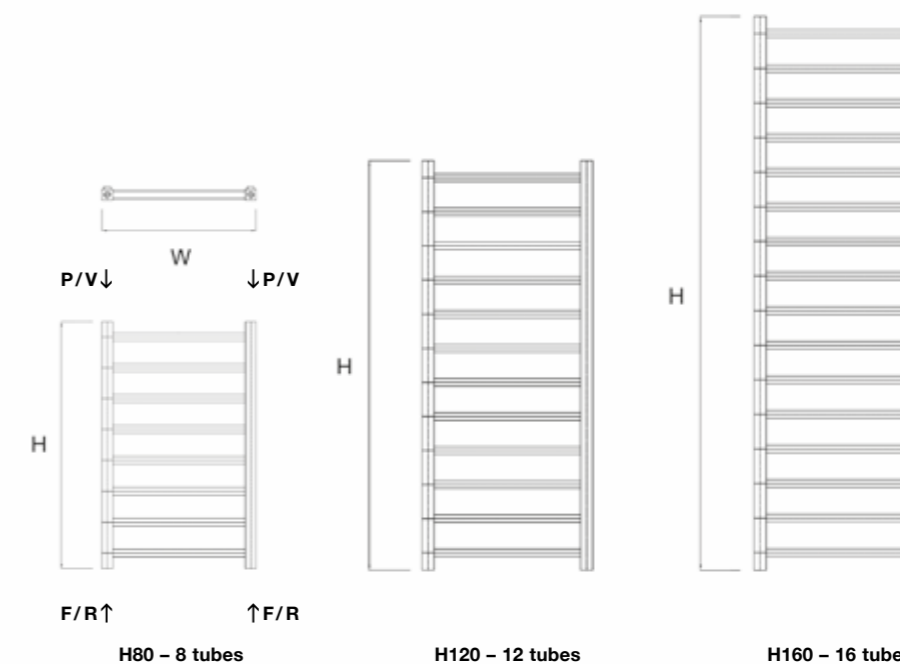
TECHNICAL INFORMATION

STANDARD CONNECTIONS 1/2" F = Flow P = Plug
R = Return V = Vent

Wall to front face = 79-93mm
Wall to pipe centre = 60-70mm



The Stalia can be finished in our "Infinity Steel" PVD finish, which stands for physical vapor deposition; a process used to create a very durable, corrosion and tarnish resistant finish. PVD finish is commonly used for bathroom fixtures which are exposed to frequent moisture.



Model	Height (H) (mm)	Width (W) (mm)	Pipe Centres (mm)	Watts Δt 50°C	Btu's Δt 50°C	Electric Element Wattage	White		Infinity Steel (inc VAT)	Weight (kgs)
							Anthracite (inc VAT)	RAL Colour Finishes (inc VAT)		
Stalia 50/80	800	500	465	285	973	300	£126.00	£222.00	£263.00	6
Stalia 50/120	1200	500	465	428	1461	300	£169.20	£265.20	£356.00	9
Stalia 50/160	1600	500	465	570	1947	600	£222.00	£318.00	£453.00	12

* All items in bold – Next working day delivery

* All items not in bold – 5-7 working days delivery

STALIA

A simple yet elegant design that would look fitting in both a contemporary and modern surround. Available in a wide range of striking colours and finishes, enabling you to make a bespoke towel rail to complement any décor. The Stalia is also available in both central heating and electric.

E: sales@dqheating.com – T: 01842 810833

VALVES & ACCESSORIES
(Please see pages 138-148)

- ADDITIONAL EXTRAS:**
- ELECTRIC VERSION (ESSENTIAL ELEMENT) + **£114.00**
 - DUAL FUEL VERSION (PLEASE ADD PRICE OF CORRECT SIZE ELEMENT IN ACCESSORIES PAGE)

AVAILABLE IN THE FOLLOWING FINISHES:



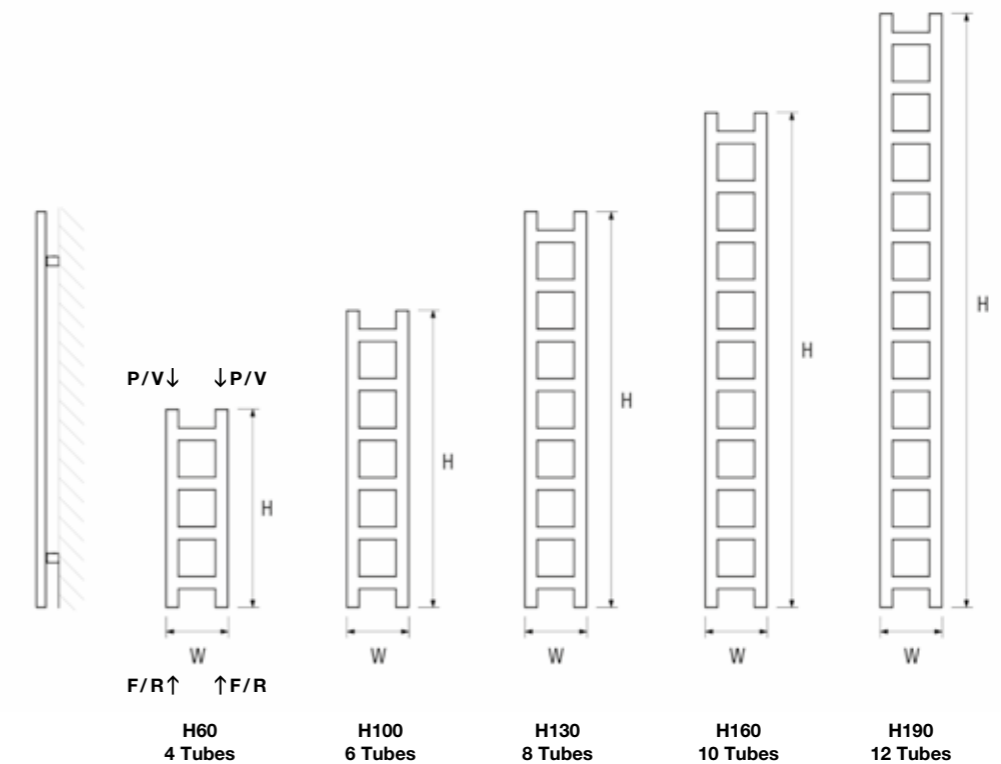
MAIN AND INSET IMAGE: Shown in Black RAL 9005 Matt with additional Oak wood shelves and Essential Straight Valves in Chrome



TECHNICAL INFORMATION

STANDARD CONNECTIONS 1/2" F = Flow P = Plug
R = Return V = Vent

Wall to front face = 72-80mm
Wall to pipe centre = 57-65mm



Please note: Additional wood shelves can be added to any of the bars.

Model	Height (H) (mm)	Width (W) (mm)	Pipe Centres (mm)	Watts Δt 50°C	Btu's Δt 50°C	Electric Element Wattage	White (inc VAT)	Black 9005 Matt (inc VAT)	RAL Colour Finishes (inc VAT)	Weight (kgs)
Oakham 60	640	200	160	124	423	150	£265.00	£265.00	£361.00	4
Oakham 100	960	200	160	187	638	300	£310.00	£310.00	£406.00	5
Oakham 130	1280	200	160	251	856	300	£375.00	£375.00	£471.00	6
Oakham 160	1600	200	160	314	1071	300	£444.00	£444.00	£540.00	7
Oakham 190	1920	200	160	378	1290	400	£506.00	£506.00	£602.00	9

* All items in bold – Next working day delivery

* All items not in bold – 5-7 working days delivery

OAKHAM

This sleek, slimline towel rail will compliment your bathroom and offer excellent versatility. With additional shelves that can be purchased in either Beech, Oak or Teak, this is a must for where space is at a premium.

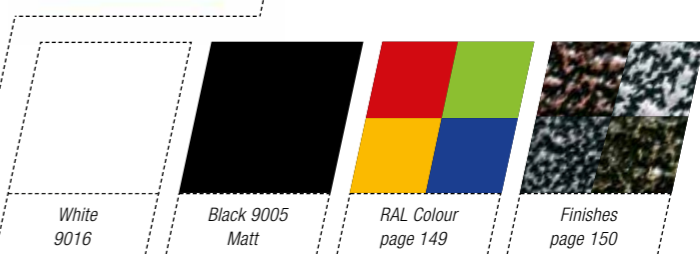
VALVES & ACCESSORIES
(Please see pages 138-148)

ADDITIONAL EXTRAS:

- ELECTRIC VERSION (ESSENTIAL ELEMENT) + **£114.00**
- DUAL FUEL VERSION (PLEASE ADD PRICE OF CORRECT SIZE ELEMENT IN ACCESSORIES PAGE)
- ADDITIONAL OAKHAM WOOD SHELF IN BEECH + **£74.00 EACH**
- ADDITIONAL OAKHAM WOOD SHELF IN OAK + **£74.00 EACH**
- ADDITIONAL OAKHAM WOOD SHELF IN TEAK + **£151.00 EACH**



AVAILABLE IN THE FOLLOWING FINISHES:





MAIN IMAGE: Shown in Black RAL 9005 Matt with additional Oak wood shelves and Essential Straight Valves in Chrome

INSET IMAGE: Pigeon-blue RAL 5014

FENDER

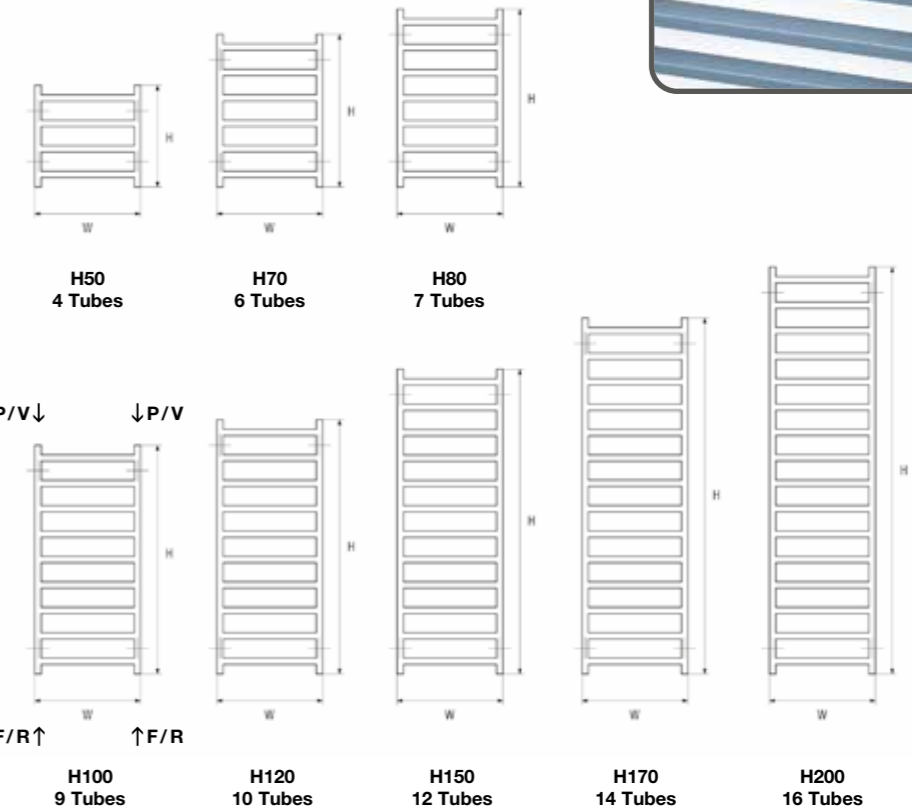
Like the Slimline Oakham, the Fender offers great versatility; with three shelf options this towel rail can be transformed into part of the bathroom furniture. The additional shelves can be fitted to any bar and can be purchased in a high quality Beech, Oak or Teak finish.

E: sales@dqheating.com – T: 01842 810833

TECHNICAL INFORMATION
STANDARD CONNECTIONS 1/2"

F = Flow **P** = Plug
R = Return **V** = Vent

Wall to front face = 72-80mm
Wall to pipe centre = 57-65mm



Please note: Additional wood shelves can be added to any of the bars.

Model	Height (H) (mm)	Width (W) (mm)	Pipe Centres (mm)	Watts Δt 50°C	Btu's Δt 50°C	Electric Element Wattage	White (inc VAT)	Black 9005 Matt (inc VAT)	RAL Colour Finishes (inc VAT)	Weight (kgs)
Fender 50	480	500	470	173	590	150	£265.00	£265.00	£361.00	4
Fender 70	720	500	470	262	894	300	£334.00	£334.00	£430.00	6
Fender 80	840	500	470	306	1044	300	£355.00	£355.00	£451.00	7
Fender 100	1080	500	470	396	1351	400	£400.00	£400.00	£496.00	9
Fender 120	1200	500	470	440	1501	400	£444.00	£444.00	£540.00	9
Fender 150	1440	500	470	529	1805	600	£489.00	£489.00	£585.00	11
Fender 170	1680	500	470	618	2109	600	£575.00	£575.00	£671.00	13
Fender 200	1920	500	470	707	2412	900	£620.00	£620.00	£716.00	15

* All items in bold – Next working day delivery

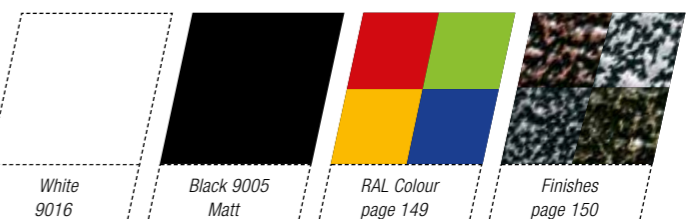
* All items not in bold – 5-7 working days delivery

VALVES & ACCESSORIES
(Please see pages 138-148)



- ADDITIONAL EXTRAS:**
- ELECTRIC VERSION (ESSENTIAL ELEMENT) + **£114.00**
 - DUAL FUEL VERSION (PLEASE ADD PRICE OF CORRECT SIZE ELEMENT IN ACCESSORIES PAGE)
 - ADDITIONAL FENDER WOOD SHELF IN BEECH + **£104.00**
 - ADDITIONAL FENDER WOOD SHELF IN OAK + **£104.00**
 - ADDITIONAL FENDER WOOD SHELF IN TEAK + **£254.00**

AVAILABLE IN THE FOLLOWING FINISHES:





LOW WATER CONTENT



MATERIAL
• Mild steel



DELIVERY
• All items in bold 5-7 working days



5 YEAR GUARANTEE



FOR FITTING INSTRUCTIONS VISIT
www.dqheating.com

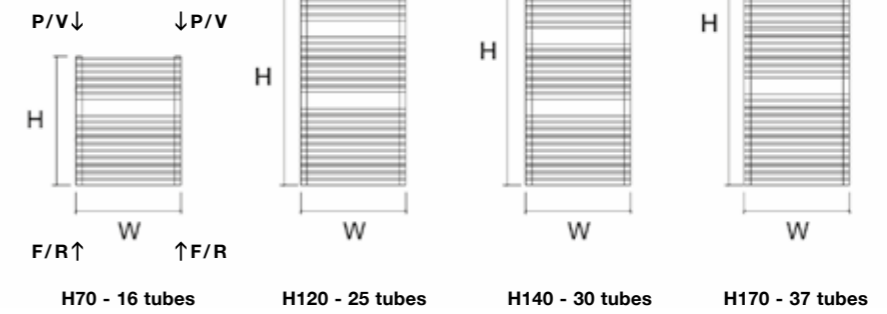


MAIN IMAGE: Shown in Signal Black RAL 9004 Matt with Essential Angled Valves in Chrome
INSET IMAGE: Shown in Cream RAL 9001

TECHNICAL INFORMATION

STANDARD CONNECTIONS 1/2" F = Flow P = Plug
R = Return V = Vent

Wall to front face = 105mm
Wall to pipe centre = 70mm



Model	Height (H) (mm)	Width (W) (mm)	Pipe Centres (mm)	Watts Δt 50°C	Btu's Δt 50°C	Electric Element Wattage	White (inc VAT)	F04 - Dark Grey Texture (inc VAT)	RAL Colour Finishes (inc VAT)	Weight (kgs)
VUT 50/70	720	486	450	361	1232	300	£354.00	£461.00	£461.00	9
VUT 50/120	1160	486	450	587	2003	300	£471.00	£612.00	£612.00	15
VUT 50/140	1440	486	450	677	2310	600	£553.00	£719.00	£719.00	18
VUT 50/170	1720	486	450	790	2695	600	£771.00	£1,002.00	£1,002.00	21
VUT 60/70	720	586	550	435	1484	300	£413.00	£536.00	£536.00	11
VUT 60/120	1160	586	550	708	2416	600	£522.00	£678.00	£678.00	18
VUT 60/140	1440	586	550	816	2784	600	£603.00	£784.00	£784.00	21
VUT 60/170	1720	586	550	953	3252	900	£821.00	£1,068.00	£1,068.00	24
VUT 75/70	720	746	710	554	1890	300	£452.00	£587.00	£587.00	13
VUT 75/120	1160	746	710	901	3074	600	£572.00	£744.00	£744.00	22
VUT 75/140	1440	746	710	1039	3545	900	£705.00	£916.00	£916.00	25
VUT 75/170	1720	746	710	1213	4139	900	£872.00	£1,134.00	£1,134.00	30

*All items in bold – 5-7 working days delivery

*All items not in bold – 4-5 weeks delivery

VULCANO T

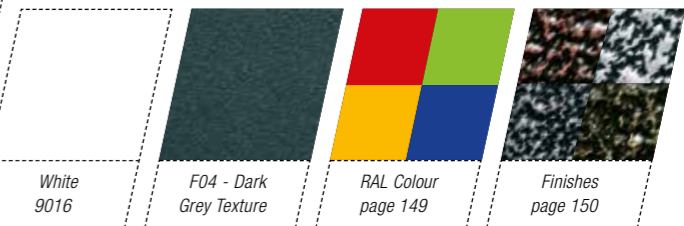
The Italian manufactured Vulcano is a high quality product with contemporary tube on tube styling, giving it pleasing characteristics and great heat output.

E: sales@dqheating.com – T: 01842 810833

VALVES & ACCESSORIES
(Please see pages 138-148)

ADDITIONAL EXTRAS:
• ELECTRIC VERSION (ESSENTIAL ELEMENT) + £114.00
• DUAL FUEL VERSION (PLEASE ADD PRICE OF CORRECT SIZE ELEMENT IN ACCESSORIES PAGE)

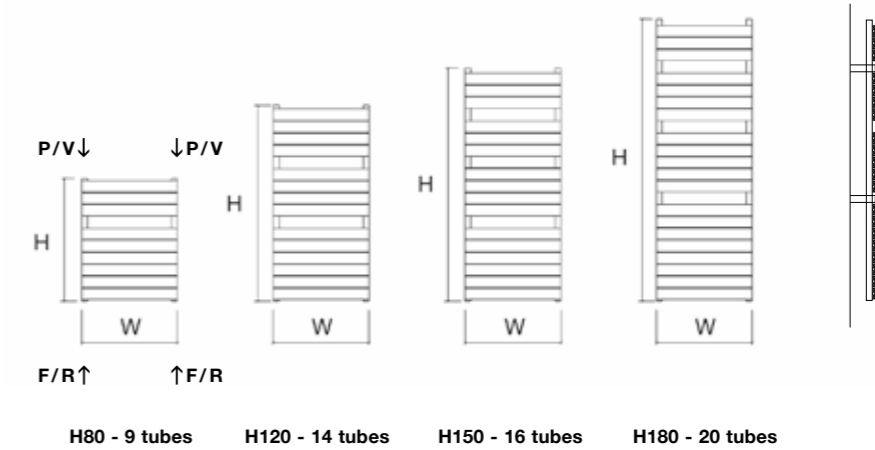
AVAILABLE IN THE FOLLOWING FINISHES:



TECHNICAL INFORMATION

STANDARD CONNECTIONS 1/2" F = Flow P = Plug
R = Return V = Vent

Wall to front face = 105mm
Wall to pipe centre = 70mm



MAIN IMAGE: Shown in May Green RAL 6017 with Essential Square Angled Valves in Chrome
INSET IMAGE: Shown in F04 Dark Grey Texture

TORNADO T

The Tornado T with patented 68mm flat tubes is a timeless classic with exceptional build quality. With many different colour options this Italian towel rail is an ideal solution to heating your bathroom in style.

Model	Height (H) (mm)	Width (W) (mm)	Pipe Centres (mm)	Watts Δt 50°C	Btu's Δt 50°C	Electric Element Wattage	White (inc VAT)	F04 - Dark Grey Texture (inc VAT)	RAL Colour Finishes (inc VAT)	Weight (kgs)
TOT 50/80	750	486	450	567	1935	300	£341.00	£443.00	£443.00	10
TOT 50/120	1200	486	450	718	2450	600	£398.00	£517.00	£517.00	15
TOT 50/150	1440	486	450	865	2951	600	£526.00	£684.00	£684.00	19
TOT 50/180	1720	486	450	1169	3989	900	£617.00	£802.00	£802.00	23
TOT 60/80	750	586	550	680	2320	600	£349.00	£453.00	£453.00	12
TOT 60/120	1200	586	550	860	2934	600	£415.00	£540.00	£540.00	17
TOT 60/150	1440	586	550	1048	3576	900	£546.00	£710.00	£710.00	22
TOT 60/180	1720	586	550	1395	4760	900	£649.00	£844.00	£844.00	27
TOT 75/80	750	746	710	813	2774	600	£390.00	£507.00	£507.00	15
TOT 75/120	1200	746	710	1096	3740	900	£455.00	£592.00	£592.00	21
TOT 75/150	1440	746	710	1279	4364	900	£584.00	£759.00	£759.00	27
TOT 75/180	1720	746	710	1692	5773	900	£699.00	£908.00	£908.00	33

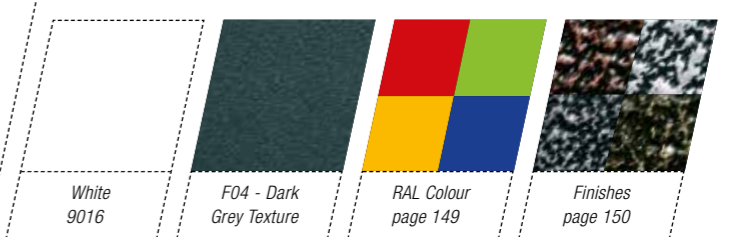
* All items in bold - 5-7 working days delivery

* All items not in bold - 4-5 weeks delivery

VALVES & ACCESSORIES
(Please see pages 138-148)

- ADDITIONAL EXTRAS:
- ELECTRIC VERSION (ESSENTIAL ELEMENT) + **£114.00**
 - DUAL FUEL VERSION (PLEASE ADD PRICE OF CORRECT SIZE ELEMENT IN ACCESSORIES PAGE)

AVAILABLE IN THE FOLLOWING FINISHES:





MATERIAL
• Mild steel



DELIVERY
• All items in bold next working day



5 YEAR GUARANTEE



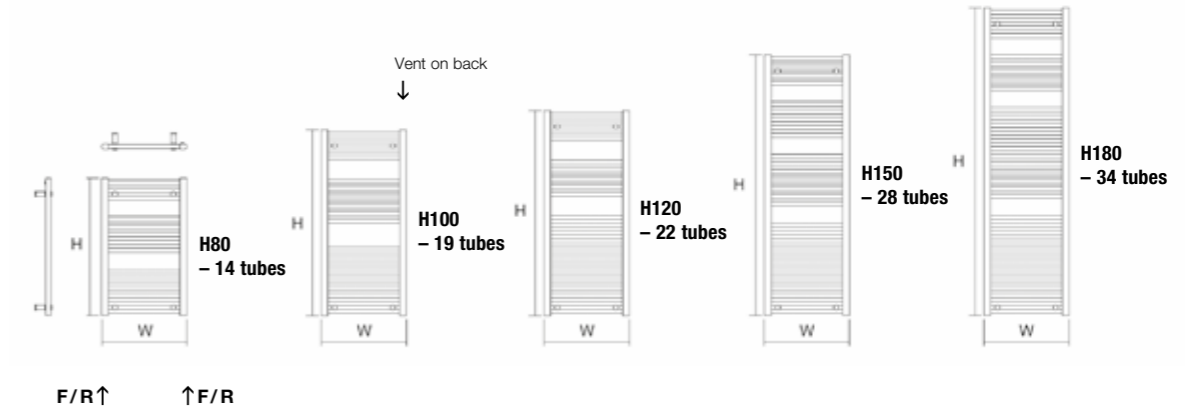
FOR FITTING INSTRUCTIONS VISIT
www.dqheating.com

MAIN IMAGE: Shown in Chrome with Essential Corner TRV in Chrome
INSET IMAGE: Shown in Chrome



TECHNICAL INFORMATION
STANDARD CONNECTIONS 1/2" **F = Flow** **R = Return**

Wall to front face = 87-97mm
Wall to pipe centre = 78-88mm



Please note: Chrome finish reduces output by up to 20%.

Model	Height (H) (mm)	Width (W) (mm)	Pipe Centres (mm)	Watts Δt 50°C	Btu's Δt 50°C	Electric Element Wattage	White (inc VAT)	Chrome (inc VAT)	RAL Colour Finishes (inc VAT)	Weight (kgs)
Metro 30/80	800	300	255	325	1109	300	£67.20	£86.40	£163.20	5
Metro 30/120	1200	300	255	490	1672	300	£91.20	£117.60	£187.20	8
Metro 40/80	800	400	355	370	1263	300	£74.40	£103.20	£170.40	6
Metro 40/120	1200	400	355	530	1809	300	£99.60	£146.40	£195.60	9
Metro 40/180	1800	400	355	840	2866	900	£144.00	£201.60	£240.00	13
Metro 50/80	800	500	455	420	1433	300	£80.40	£108.00	£176.40	7
Metro 50/100	1000	500	455	538	1836	300	-	£139.20	-	9
Metro 50/120	1200	500	455	600	2047	600	£108.00	£153.60	£204.00	11
Metro 50/150	1500	500	455	750	2559	600	£121.20	£198.00	£217.20	13
Metro 50/180	1800	500	455	925	3156	900	£158.40	£231.60	£254.40	16
Metro 60/80	800	600	555	445	1518	300	£90.00	£121.20	£186.00	8
Metro 60/100	1000	600	555	589	2010	600	-	£152.40	-	10
Metro 60/120	1200	600	555	710	2422	600	£118.80	£170.40	£214.80	12
Metro 60/150	1500	600	555	900	3070	600	£133.20	£222.00	£229.20	15
Metro 60/180	1800	600	555	1107	3777	900	£184.80	£260.40	£280.80	18

* All items in bold – Next working day delivery * All items not in bold – 5-7 working days delivery

METRO

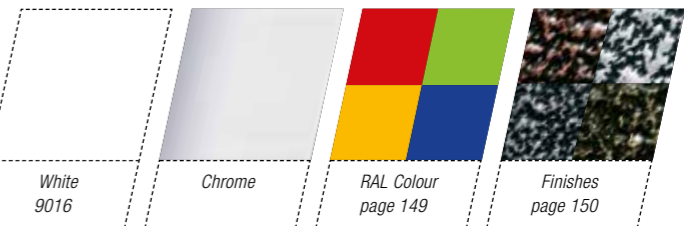
Industry standard straight fronted ladder rail, the tried and tested Metro, with 25mm tubes, is available in a large selection of sizes to suit most applications.

E: sales@dqheating.com – T: 01842 810833

VALVES & ACCESSORIES
(Please see pages 138-148)

- ADDITIONAL EXTRAS:**
- ELECTRIC VERSION (ESSENTIAL ELEMENT) + **£114.00**
 - DUAL FUEL VERSION (PLEASE ADD PRICE OF CORRECT SIZE ELEMENT IN ACCESSORIES PAGE)
 - GRIP PEG WHITE / CHROME **£24.00**
 - TOWEL BAR TO FIT METRO 400, 500 & 600 WHITE / CHROME **£60.00**

AVAILABLE IN THE FOLLOWING FINISHES:

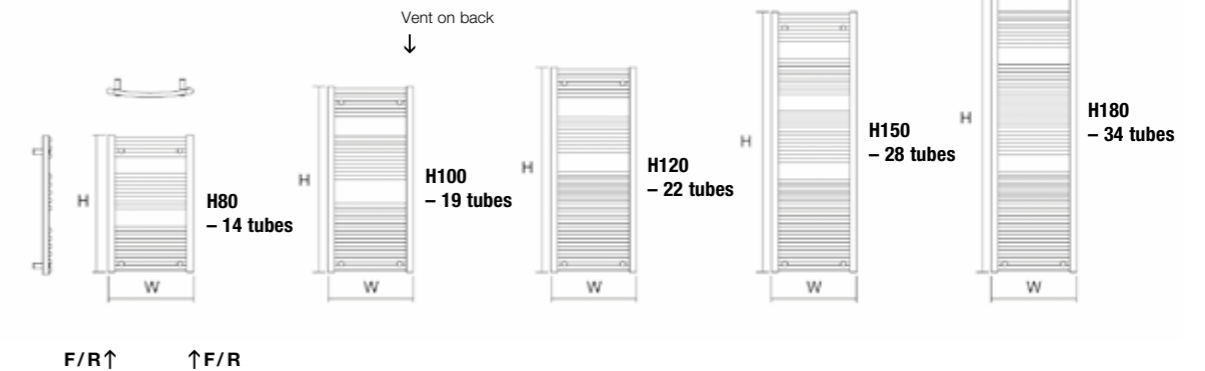


MAIN IMAGE: Shown in Turquoise Blue RAL 5018 with Essential Corner Valves in Chrome
INSET IMAGE: Shown in Chrome



TECHNICAL INFORMATION
STANDARD CONNECTIONS 1/2" **F = Flow** **R = Return**

Wall to front face = 90-100mm
Wall to pipe centre = 67-82mm



Please note: Chrome finish reduces output by up to 20%.

Model	Height (H) (mm)	Width (W) (mm)	Pipe Centres (mm)	Watts Δt 50°C	Btu's Δt 50°C	Electric Element Wattage	White (inc VAT)	Chrome (inc VAT)	RAL Colour Finishes (inc VAT)	Weight (kgs)
Orion 50/80	800	500	455	420	1433	300	£84.00	£112.80	£180.00	7
Orion 50/100	1000	500	455	538	1836	300	-	£146.40	-	9
Orion 50/120	1200	500	455	600	2047	600	£114.00	£162.00	£210.00	11
Orion 50/150	1500	500	455	750	2559	600	£127.20	£207.60	£223.20	13
Orion 50/180	1800	500	455	925	3156	900	£166.80	£243.60	£262.80	16
Orion 60/80	800	600	555	490	1672	300	£93.60	£127.20	£189.60	8
Orion 60/100	1000	600	555	589	2010	600	-	£160.80	-	10
Orion 60/120	1200	600	555	710	2423	600	£124.80	£178.80	£220.80	12
Orion 60/150	1500	600	555	900	3070	600	£139.20	£234.00	£235.20	15
Orion 60/180	1800	600	555	1107	3777	900	£193.20	£272.40	£289.20	18

* All items in bold – Next working day delivery

* All items not in bold – 5-7 working days delivery

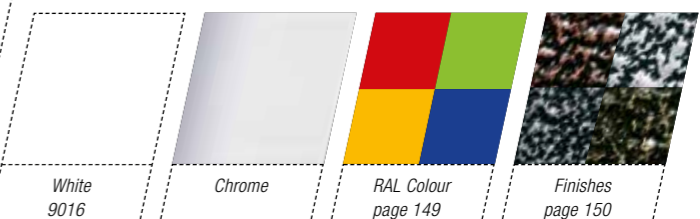
ORION

Curved fronted ladder rail using the same construction and layout as the Metro, the Orion can be supplied in two widths and five heights.

VALVES & ACCESSORIES
(Please see pages 138-148)

- ADDITIONAL EXTRAS:**
- **ELECTRIC VERSION (ESSENTIAL ELEMENT) + £114.00**
 - **DUAL FUEL VERSION (PLEASE ADD PRICE OF CORRECT SIZE ELEMENT IN ACCESSORIES PAGE)**
 - **GRIP PEG WHITE / CHROME £24.00**
 - **TOWEL BAR TO FIT ORION 500 & 600 WHITE / CHROME £60.00**

AVAILABLE IN THE FOLLOWING FINISHES:



MAIN AND INSET IMAGE: Shown in Brushed Brass with Essential Angled Valves in Brushed Nickel



MATERIAL
• Stainless steel
Grade 304



DELIVERY
• All items in bold
next working day



**25 YEAR
GUARANTEE**



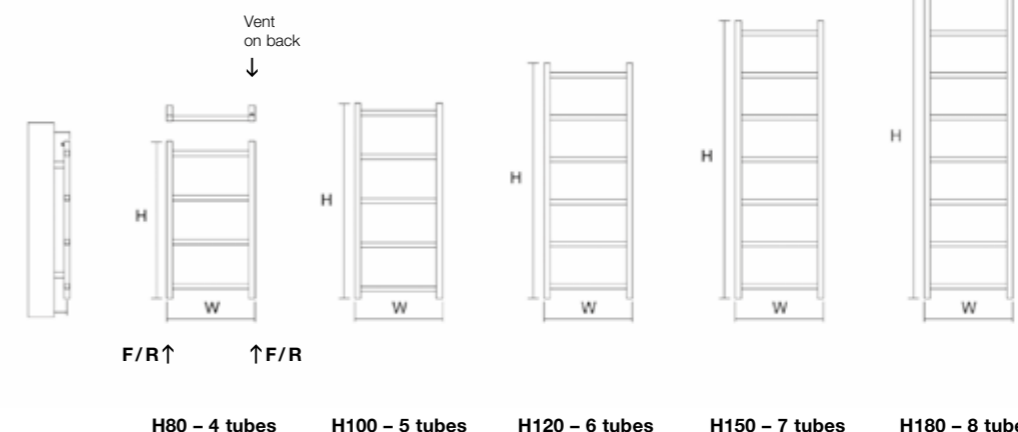
FOR FITTING INSTRUCTIONS VISIT
www.dqheating.com

NEW

TECHNICAL INFORMATION
STANDARD CONNECTIONS 1/2"

F = Flow R = Return

Wall to front face = 76-86mm
Wall to pipe centre = 65-80mm



Model	Height (H) (mm)	Width (W) (mm)	Pipe Centres (mm)	Watts Δt 50°C	Btu's Δt 50°C	Electric Element Wattage	Brushed Brass (inc VAT)	Weight (kgs)
Austen 30/80	800	300	270	171	584	300	£319.00	10
Austen 30/100	1000	300	270	225	768	300	£399.00	11
Austen 30/120	1200	300	270	257	877	300	£477.00	12
Austen 45/80	800	450	420	213	727	300	£382.00	13
Austen 45/100	1000	450	420	274	935	300	£479.00	14
Austen 45/120	1200	450	420	319	1089	300	£573.00	15
Austen 45/150	1500	450	420	410	1399	600	£717.00	17
Austen 45/180	1800	450	420	480	1638	600	£832.00	20
Austen 60/80	800	600	570	244	833	300	£444.00	16
Austen 60/100	1000	600	570	326	1113	300	£556.00	17
Austen 60/120	1200	600	570	366	1249	300	£667.00	18

* All items in bold – Next working day delivery

* All items not in bold – 5-7 working days delivery

VALVES & ACCESSORIES
(Please see pages 138-148)

ADDITIONAL EXTRAS:

- ELECTRIC VERSION
(ESSENTIAL ELEMENT) + **£114.00**
- DUAL FUEL VERSION (PLEASE ADD
PRICE OF CORRECT SIZE ELEMENT
IN ACCESSORIES PAGE)

AVAILABLE IN THE FOLLOWING FINISHES:



Brushed Brass

AUSTEN

The Austen is a prestigious towel rail enhanced by its brushed brass finish, blending a clean and classic design with an exclusive feel.

E: sales@dqheating.com – T: 01842 810833



MAIN IMAGE: Shown in Copper Lacquer with Essential Straight Valves in Chrome
 INSET IMAGE: Shown in Black Nickel Lacquer

ROSA

The Rosa is a quality product inspired by the latest sophisticated bathroom designs. This classic towel rail has a modern feel with its lacquered finish over polished stainless steel.



MATERIAL
 • Stainless steel Grade 304



DELIVERY
 • All items in bold next working day



25 YEAR GUARANTEE

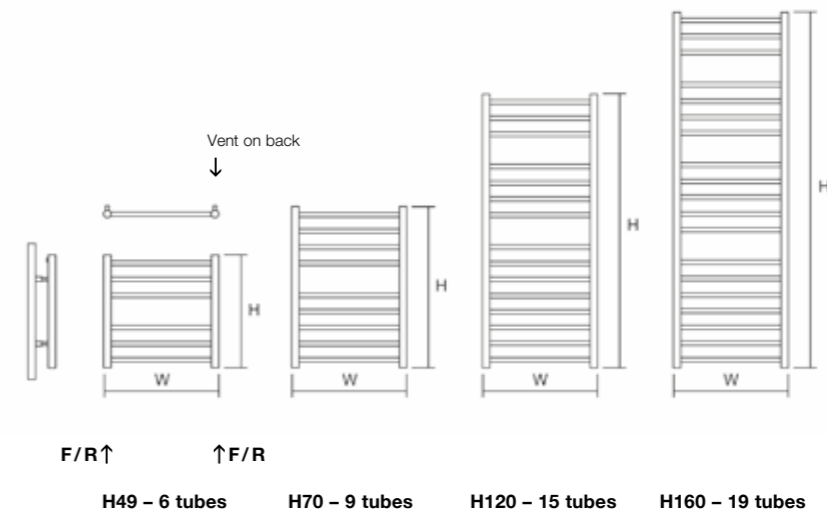


FOR FITTING INSTRUCTIONS VISIT
www.dqheating.com

NEW

TECHNICAL INFORMATION
STANDARD CONNECTIONS 1/2" F = Flow R = Return

Wall to front face = 88-110mm
 Wall to pipe centre = 72-94mm



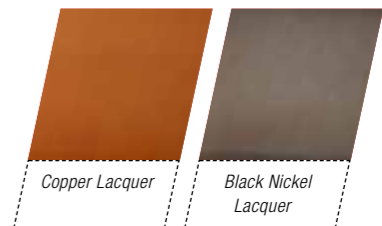
Model	Height (H) (mm)	Width (W) (mm)	Pipe Centres (mm)	Watts Δt 50°C	Btu's Δt 50°C	Electric Element Wattage	Copper Lacquer (inc VAT)	Black Nickel Lacquer (inc VAT)	Weight (kgs)
Rosa 40/49	490	400	368	196	667	150	£220.00	£220.00	6
Rosa 75/49	490	750	718	389	1328	300	£278.00	£278.00	7
Rosa 100/49	490	1000	968	446	1523	300	£324.00	£324.00	10
Rosa 35/70	700	350	318	270	922	300	£266.00	£266.00	6
Rosa 35/120	1190	350	318	479	1636	300	£382.00	£382.00	9
Rosa 35/160	1540	350	318	563	1920	600	£458.00	£458.00	12
Rosa 50/70	700	500	468	389	1328	300	£289.00	£289.00	7
Rosa 50/120	1190	500	468	536	1827	600	£435.00	£435.00	10
Rosa 50/160	1540	500	468	713	2433	600	£544.00	£544.00	13
Rosa 60/70	700	600	568	420	1433	300	£347.00	£347.00	8
Rosa 60/120	1190	600	568	641	2187	600	£504.00	£504.00	11
Rosa 60/160	1540	600	568	754	2572	600	£632.00	£632.00	14

* All items in bold – Next working day delivery * All items not in bold – 5-7 working days delivery

VALVES & ACCESSORIES
 (Please see pages 138-148)

ADDITIONAL EXTRAS:
 • ELECTRIC VERSION (ESSENTIAL ELEMENT) + **£114.00**
 • DUAL FUEL VERSION (PLEASE ADD PRICE OF CORRECT SIZE ELEMENT IN ACCESSORIES PAGE)

AVAILABLE IN THE FOLLOWING FINISHES:



MAIN IMAGE: Shown in Black Nickel Lacquer with Essential Angled Valves in Black Nickel
 INSET IMAGE: Shown in Copper Lacquer



CAVELL

The slight bow within the Cavell's design merges perfectly with its lacquered finish.
 This beautiful towel rail combines style and contemporary comfort.

E: sales@dqheating.com – T: 01842 810833



MATERIAL
 • Stainless steel
 Grade 304



DELIVERY
 • All items in bold
 next working day



**25 YEAR
 GUARANTEE**



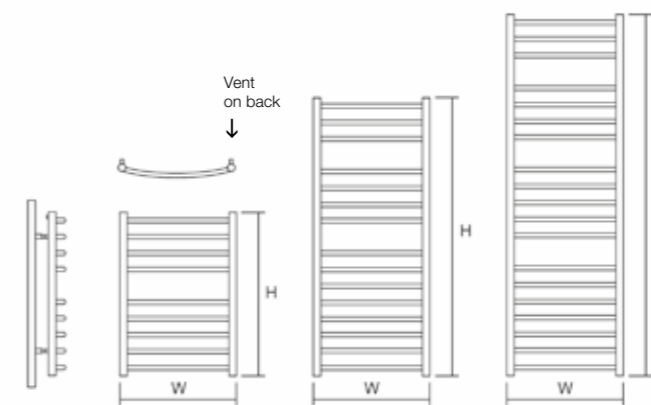
FOR FITTING INSTRUCTIONS VISIT
www.dqheating.com

NEW

TECHNICAL INFORMATION
STANDARD CONNECTIONS 1/2"

F = Flow R = Return

Wall to front face = 88-110mm
 Wall to pipe centre = 72-94mm



F/R ↑ ↑ F/R
H70 – 9 tubes H120 – 15 tubes H160 – 19 tubes

Model	Height (H) (mm)	Width (W) (mm)	Pipe Centres (mm)	Watts Δt 50°C	Btu's Δt 50°C	Electric Element Wattage	Copper Lacquer (inc VAT)	Black Nickel Lacquer (inc VAT)	Weight (kgs)
Cavell 50/70	700	500	468	389	1328	300	£336.00	£336.00	7
Cavell 50/120	1190	500	468	536	1827	600	£486.00	£486.00	10
Cavell 50/160	1540	500	468	713	2433	600	£609.00	£609.00	13
Cavell 60/70	700	600	568	420	1433	300	£394.00	£394.00	8
Cavell 60/120	1190	600	568	641	2187	600	£582.00	£582.00	11
Cavell 60/160	1540	600	568	754	2572	600	£706.00	£706.00	14

★ All items in bold – Next working day delivery ★ All items not in bold – 5-7 working days delivery

VALVES & ACCESSORIES
 (Please see pages 138-148)

ADDITIONAL EXTRAS:
 • ELECTRIC VERSION
 (ESSENTIAL ELEMENT) + **£114.00**
 • DUAL FUEL VERSION (PLEASE ADD
 PRICE OF CORRECT SIZE ELEMENT
 IN ACCESSORIES PAGE)

AVAILABLE IN THE FOLLOWING FINISHES:





MATERIAL
• Stainless steel
Grade 304



DELIVERY
• All items in bold
next working day



**25 YEAR
GUARANTEE**



FOR FITTING INSTRUCTIONS VISIT
www.dqheating.com

MAIN AND INSET IMAGE:
Shown in Polished Stainless Steel with Essential Angled Valves in Chrome



REBO

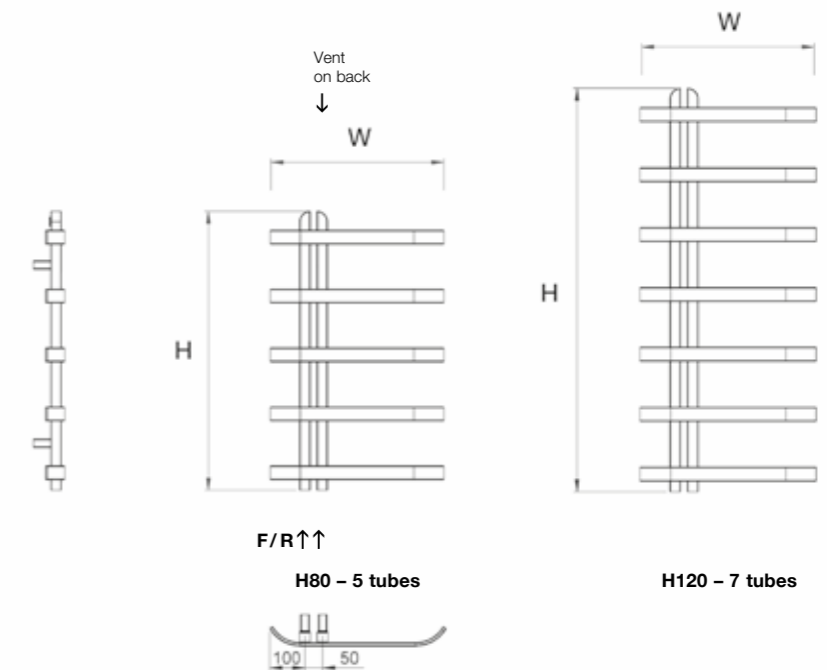
Both its build quality and luxurious feel show the high standards to which the Rebo has been manufactured. The attention to detail on the Rebo's design is second to none, making it one of the most exciting models in the DQ range.

E: sales@dqheating.com – T: 01842 810833

**TECHNICAL INFORMATION
STANDARD
CONNECTIONS 1/2"**

F = Flow R = Return

Wall to front face = 90-125mm
Wall to pipe centre = 65-100mm



Model	Height (H) (mm)	Width (W) (mm)	Pipe Centres (mm)	Watts Δt 50°C	Btu's Δt 50°C	Polished Stainless (inc VAT)	RAL Colour Finishes (inc VAT)	Weight (kgs)
Rebo50/80	805	500	50	183	624	£599.00	£779.00	8
Rebo50/120	1145	500	50	231	788	£756.00	£983.00	10

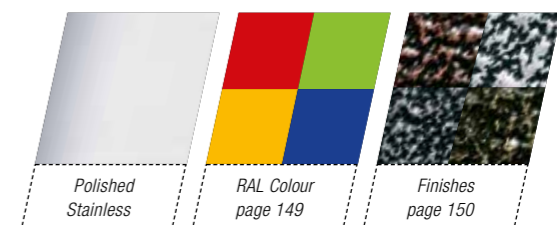
★ All items in bold – Next working day delivery

★ All items not in bold – 5-7 working days delivery

VALVES & ACCESSORIES
(Please see pages 141-148)

DUAL FUEL & ELECTRIC
VERSIONS NOT AVAILABLE

AVAILABLE IN THE FOLLOWING FINISHES:



Polished
Stainless

RAL Colour
page 149

Finishes
page 150



MATERIAL
• Stainless steel
Grade 304



DELIVERY
• Next working day



**5 YEAR
GUARANTEE**



FOR FITTING INSTRUCTIONS VISIT
www.dqheating.com

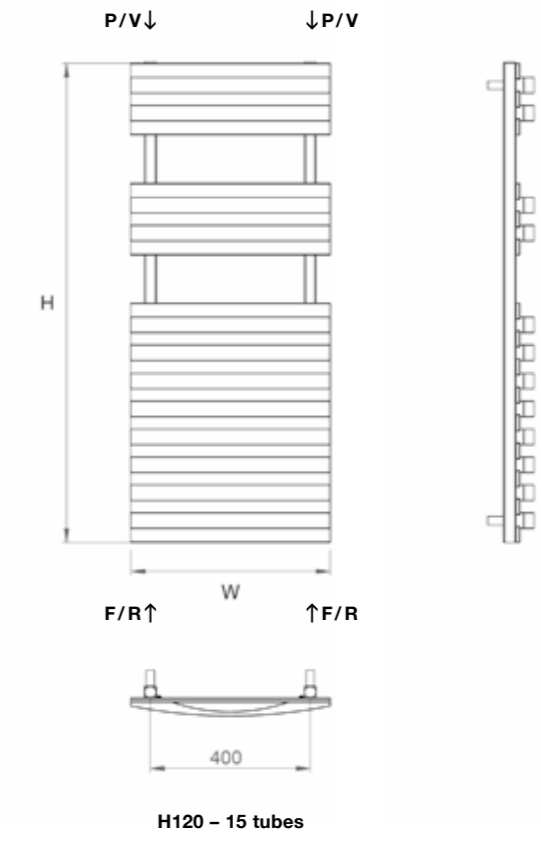
MAIN AND INSET IMAGE:
Shown in Brushed Stainless Steel with Essential Angled Valves in Black Nickel



TECHNICAL INFORMATION
STANDARD CONNECTIONS 1/2"

F = Flow **P** = Plug
R = Return **V** = Vent

Wall to front face = 115-140mm
Wall to pipe centre = 55-80mm



Model	Height (H) (mm)	Width (W) (mm)	Pipe Centres (mm)	Watts Δt 50°C	Btu's Δt 50°C	Electric Element Wattage (inc VAT)	Brushed & Wooden (inc VAT)	Weight (kgs)
Mahana 50/120	1200	500	400	375	1180	600	£795.00	12

WOOD TYPE - IROKO

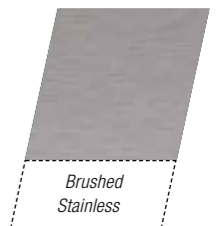
* Next working day delivery

VALVES & ACCESSORIES
(Please see pages 138-148)

ADDITIONAL EXTRAS:

- ELECTRIC VERSION (ESSENTIAL ELEMENT) + £114.00
- DUAL FUEL VERSION (PLEASE ADD PRICE OF CORRECT SIZE ELEMENT IN ACCESSORIES PAGE)

AVAILABLE IN THE FOLLOWING FINISH:



Brushed
Stainless

MAHANA

The Mahana is an exquisitely made towel rail which combines warm and natural tones of wood with a timeless brushed stainless steel finish. The fusion of materials makes the Mahana a versatile addition to enhance any space.

E: sales@dqheating.com – T: 01842 810833

MAIN IMAGE: Shown in Polished Stainless Steel with Essential Corner TRV in Chrome
 INSET IMAGE: Shown in Brushed Stainless Steel



LIANA

If the Shakers had designed towel rails, they would have looked like the Liana range from DQ. The ultimate in simple design, the Liana towel rail provides the added benefit of stainless steel.

E: sales@dqheating.com – T: 01842 810833



MATERIAL
 • Stainless steel
 Grade 304



DELIVERY
 • All items in bold
 next working day



**25 YEAR
 GUARANTEE**

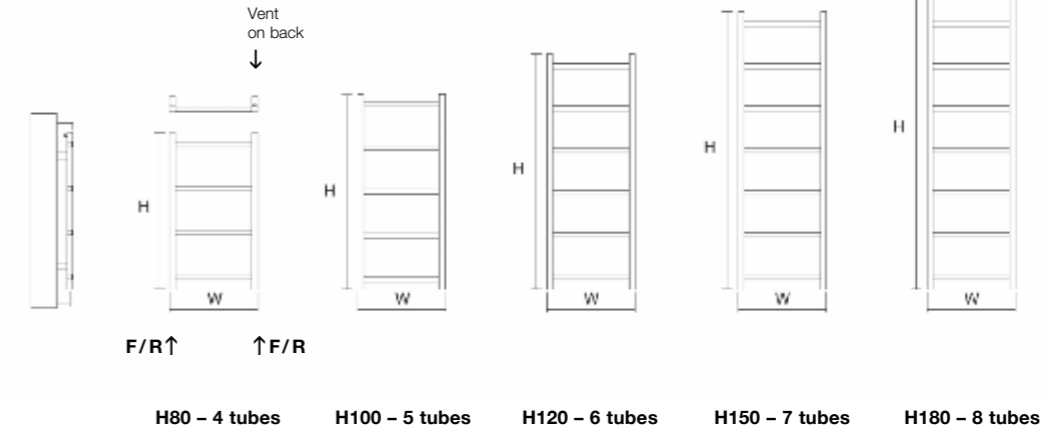


FOR FITTING INSTRUCTIONS VISIT
 www.dqheating.com

TECHNICAL INFORMATION
STANDARD CONNECTIONS 1/2"

F = Flow R = Return

Wall to front face = 76-86mm
 Wall to pipe centre = 65-80mm



Model	Height (H) (mm)	Width (W) (mm)	Pipe Centres (mm)	Watts Δt 50°C	Btu's Δt 50°C	Electric Element Wattage	Brushed Stainless (inc VAT)	Polished Stainless (inc VAT)	RAL Colour Finishes (inc VAT)	Weight (kgs)
Liana 30/80	800	300	270	171	584	300	£234.00	£246.00	£319.00	10
Liana 30/100	1000	300	270	225	768	300	£299.00	£307.00	£399.00	11
Liana 30/120	1200	300	270	257	877	300	£351.00	£367.00	£477.00	12
Liana 45/80	800	450	420	213	727	300	£282.00	£294.00	£382.00	13
Liana 45/100	1000	450	420	274	935	300	£350.00	£369.00	£479.00	14
Liana 45/120	1200	450	420	319	1089	300	£418.00	£441.00	£573.00	15
Liana 45/150	1500	450	420	410	1399	600	£532.00	£552.00	£717.00	17
Liana 45/180	1800	450	420	480	1638	600	£608.00	£640.00	£832.00	20
Liana 60/80	800	600	570	244	833	300	£326.00	£342.00	£444.00	16
Liana 60/100	1000	600	570	326	1113	300	£409.00	£427.00	£556.00	17
Liana 60/120	1200	600	570	366	1249	300	£489.00	£513.00	£667.00	18

* All items in bold – Next working day delivery

* All items not in bold – 5-7 working days delivery

VALVES & ACCESSORIES
 (Please see pages 138-148)

ADDITIONAL EXTRAS:

- ELECTRIC VERSION (ESSENTIAL ELEMENT) + **£114.00**
- DUAL FUEL VERSION (PLEASE ADD PRICE OF CORRECT SIZE ELEMENT IN ACCESSORIES PAGE)

AVAILABLE IN THE FOLLOWING FINISHES:



MAIN IMAGE: Shown in Polished Stainless Steel with Essential Straight Valves in Chrome
 INSET IMAGE: Shown in Polished Stainless Steel with Contemporary Straight TRV in Chrome



MATERIAL
 • Stainless steel
 Grade 304



DELIVERY
 • All items in bold
 next working day



**25 YEAR
 GUARANTEE**

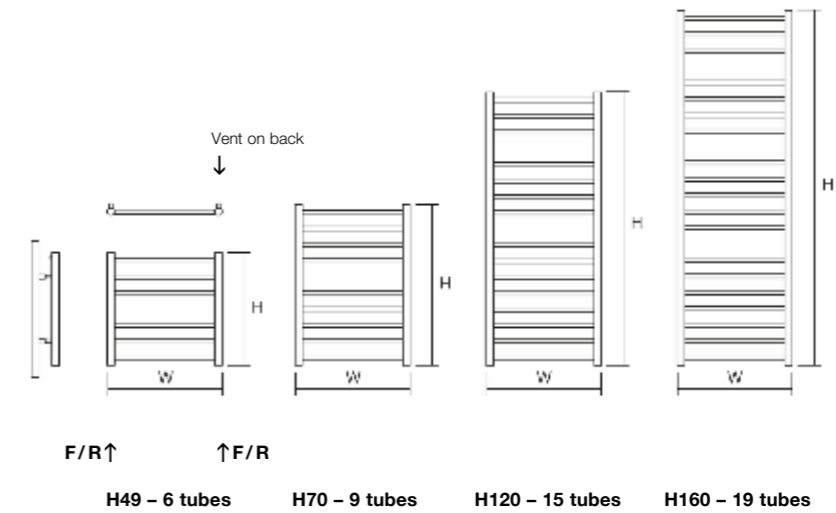


FOR FITTING INSTRUCTIONS VISIT
www.dqheating.com

TECHNICAL INFORMATION
STANDARD CONNECTIONS 1/2"

F = Flow R = Return

Wall to front face = 88-110mm
 Wall to pipe centre = 72-94mm



SIENA

Simplicity itself... Beautifully proportioned and ultra efficient, the Siena is now available in six widths and four heights. A truly versatile towel rail in a high quality polished stainless steel finish.

Model	Height (H) (mm)	Width (W) (mm)	Pipe Centres (mm)	Watts Δt 50°C	Btu's Δt 50°C	Electric Element Wattage	Polished Stainless (inc VAT)	RAL Colour Finishes (inc VAT)	Weight (kgs)
Siena 40/49	490	400	368	196	667	150	£151.20	£220.00	6
Siena 75/49	490	750	718	389	1328	300	£198.00	£278.00	7
Siena 100/49	490	1000	968	446	1523	300	£231.60	£324.00	10
Siena 35/70	700	350	318	270	922	300	£189.60	£266.00	6
Siena 35/120	1190	350	318	479	1636	300	£282.00	£382.00	9
Siena 35/160	1540	350	318	563	1920	600	£349.20	£458.00	12
Siena 50/70	700	500	468	389	1328	300	£218.40	£289.00	7
Siena 50/120	1190	500	468	536	1827	600	£327.60	£435.00	10
Siena 50/160	1540	500	468	713	2433	600	£408.00	£544.00	13
Siena 60/70	700	600	568	420	1433	300	£240.00	£347.00	8
Siena 60/120	1190	600	568	641	2187	600	£361.20	£504.00	11
Siena 60/160	1540	600	568	754	2572	600	£445.20	£632.00	14

* All items in bold – Next working day delivery

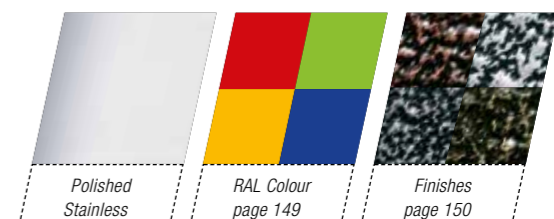
* All items not in bold – 5-7 working days delivery

VALVES & ACCESSORIES
 (Please see pages 138-148)

ADDITIONAL EXTRAS:

- ELECTRIC VERSION (ESSENTIAL ELEMENT) + **£114.00**
- DUAL FUEL VERSION (PLEASE ADD PRICE OF CORRECT SIZE ELEMENT IN ACCESSORIES PAGE)

AVAILABLE IN THE FOLLOWING FINISHES:





MATERIAL
• Stainless steel
Grade 304



DELIVERY
• All items in bold
next working day



**25 YEAR
GUARANTEE**



FOR FITTING INSTRUCTIONS VISIT
www.dqheating.com

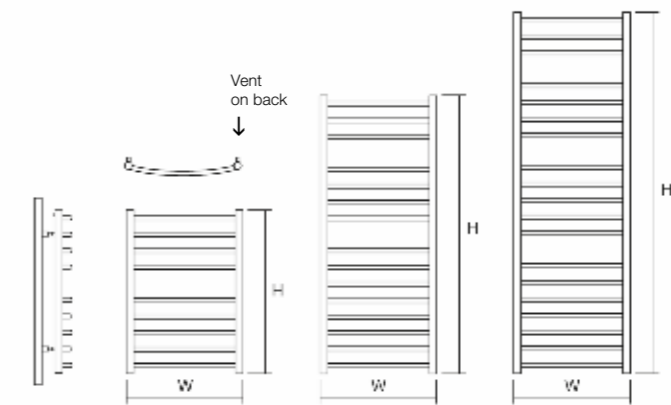
MAIN AND INSET IMAGE:
Shown in Polished Stainless Steel with Essential Corner TRV in Chrome



TECHNICAL INFORMATION
STANDARD CONNECTIONS 1/2"

F = Flow **R** = Return

Wall to front face = 88-110mm
Wall to pipe centre = 72-94mm



F/R ↑ ↑ F/R

H70 – 9 tubes **H120 – 15 tubes** **H160 – 19 tubes**

Model	Height (H) (mm)	Width (W) (mm)	Pipe Centres (mm)	Watts Δt 50°C	Btu's Δt 50°C	Electric Element Wattage	Polished Stainless (inc VAT)	RAL Colour Finishes (inc VAT)	Weight (kgs)
Zante 50/70	700	500	468	389	1328	300	£218.40	£336.00	7
Zante 50/120	1190	500	468	536	1827	600	£327.60	£486.00	10
Zante 50/160	1540	500	468	713	2433	600	£403.20	£609.00	13
Zante 60/70	700	600	568	420	1433	300	£235.20	£394.00	8
Zante 60/120	1190	600	568	641	2187	600	£357.60	£582.00	11
Zante 60/160	1540	600	568	754	2572	600	£441.60	£706.00	14

* All items in bold – Next working day delivery

* All items not in bold – 5-7 working days delivery

ZANTE

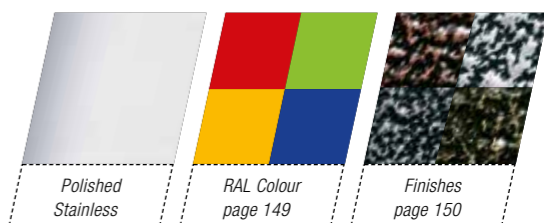
The subtle bow front sets this bathroom radiator apart from the Siena.
Like the Siena, the Zante is a popular choice for any bathroom.

VALVES & ACCESSORIES
(Please see pages 138-148)

ADDITIONAL EXTRAS:

- ELECTRIC VERSION (ESSENTIAL ELEMENT) + **£114.00**
- DUAL FUEL VERSION (PLEASE ADD PRICE OF CORRECT SIZE ELEMENT IN ACCESSORIES PAGE)

AVAILABLE IN THE FOLLOWING FINISHES:





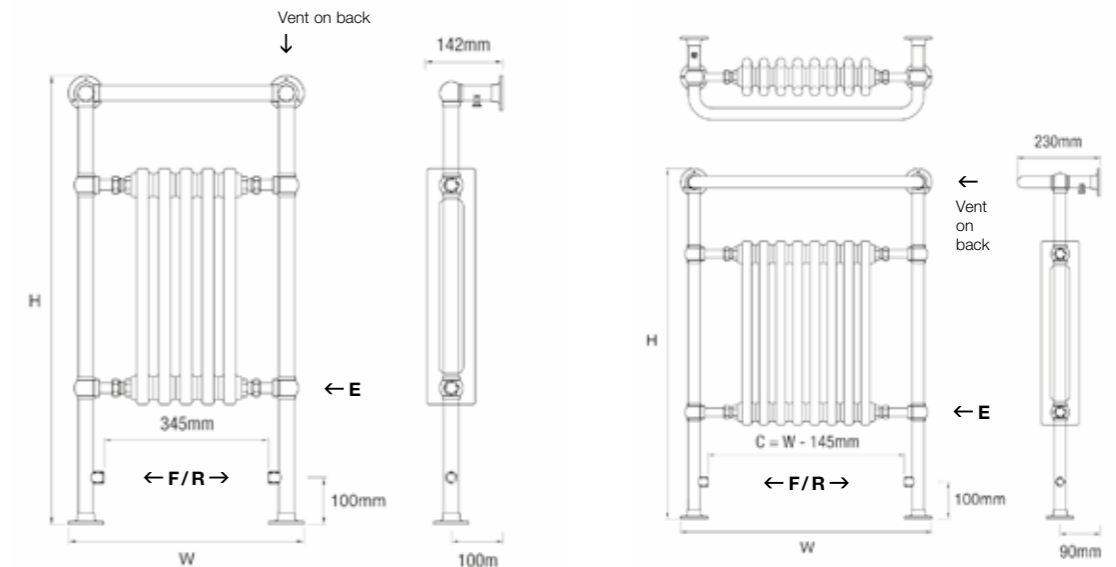
TECHNICAL INFORMATION
STANDARD CONNECTIONS 1/2"

F = Flow **R** = Return
E = Element position

Tube Diameter = 31.8mm



Showing position of electric and dual fuel element



Twyford

Newbury

Model	Height (H) (mm)	Width (W) (mm)	Watts Δt 50°C	Btu's Δt 50°C	Electric Element Wattage	Chrome (inc VAT)	Weight (kgs)	Column Insert (Number of Sections)
TWYFORD								
Twyford	952	500	425	1450	300	£429.00	15	5
NEWBURY								
Newbury-1	965	540	431	1471	300	£388.80	15	5
Newbury-2	965	673	610	2081	600	£464.40	20	8
Newbury-3	965	765	718	2450	600	£532.80	25	10

* Next working day delivery

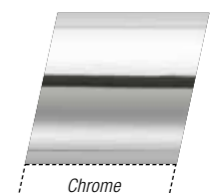
VALVES & ACCESSORIES
(Please see pages 138-148)

ADDITIONAL EXTRAS:

- ELECTRIC OPTION WITH ESSENTIAL ELEMENT + £114.00
- DUAL FUEL OPTION WITH ESSENTIAL ELEMENT + £66.00
- ELECTRIC OPTION WITH MEG THERMOSTATIC ELEMENT + £210.00
- DUAL FUEL OPTION WITH MEG THERMOSTATIC ELEMENT + £126.00

AVAILABLE IN THE FOLLOWING FINISH:

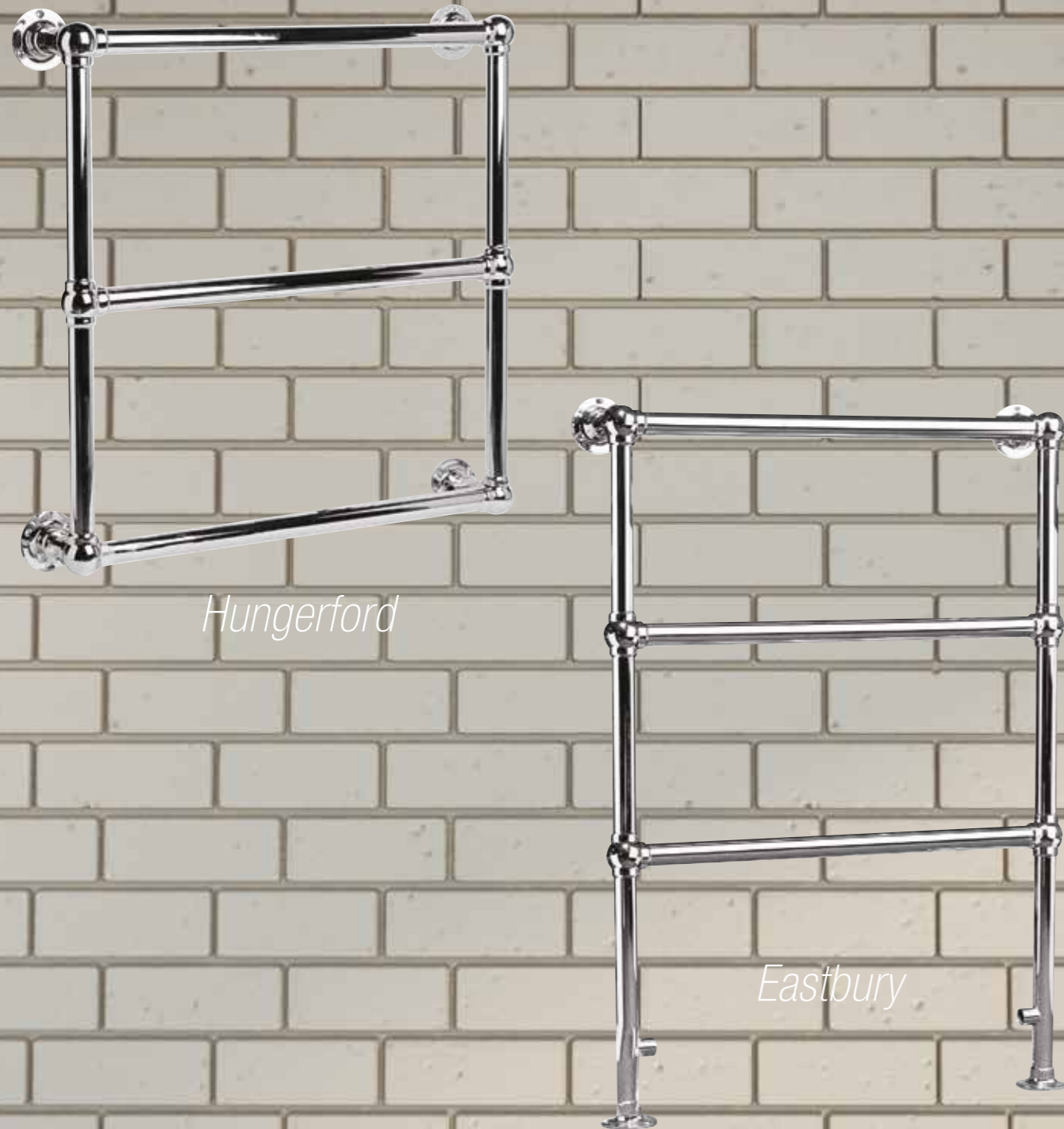
Column radiator inserts are White RAL 9016



ESSENTIAL

TRADITIONAL TOWEL RAILS

Our range of imported mild steel traditional towel rails in chrome are now available for central heating, dual fuel and electric only installation. All models are in stock ensuring quick delivery and competitive prices whilst maintaining exceptional quality.



Hungerford

Eastbury

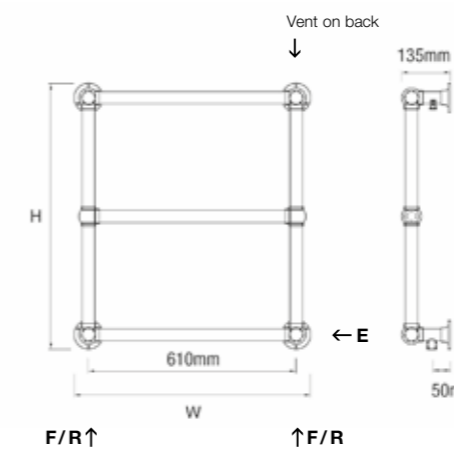
TECHNICAL INFORMATION

STANDARD CONNECTIONS 1/2" **F** = Flow **R** = Return
E = Element position

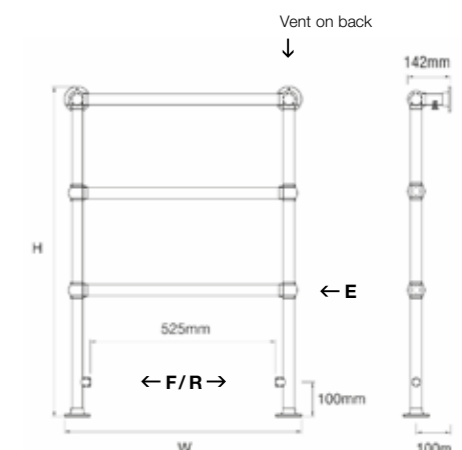
Tube Diameter = 31.8mm



Showing position of electric and dual fuel element



Hungerford



Eastbury

Model	Height (H) (mm)	Width (W) (mm)	Watts Δt 50°C	Btu's Δt 50°C	Electric Element Wattage	Chrome (inc VAT)	Weight (kgs)
HUNGERFORD							
Hungerford	685	685	137	467	150	£266.40	15
EASTBURY							
Eastbury	952	680	145	494	150	£323.00	16

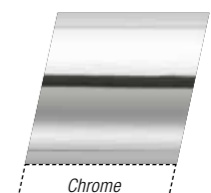
* Next working day delivery

VALVES & ACCESSORIES
(Please see pages 138-148)

ADDITIONAL EXTRAS:

- ELECTRIC OPTION WITH ESSENTIAL ELEMENT + £114.00
- DUAL FUEL OPTION WITH ESSENTIAL ELEMENT + £66.00
- ELECTRIC OPTION WITH MEG THERMOSTATIC ELEMENT + £210.00
- DUAL FUEL OPTION WITH MEG THERMOSTATIC ELEMENT + £126.00

AVAILABLE IN THE FOLLOWING FINISHES:



Chrome

ESSENTIAL

TRADITIONAL TOWEL RAILS



Lambourne



Sandhurst

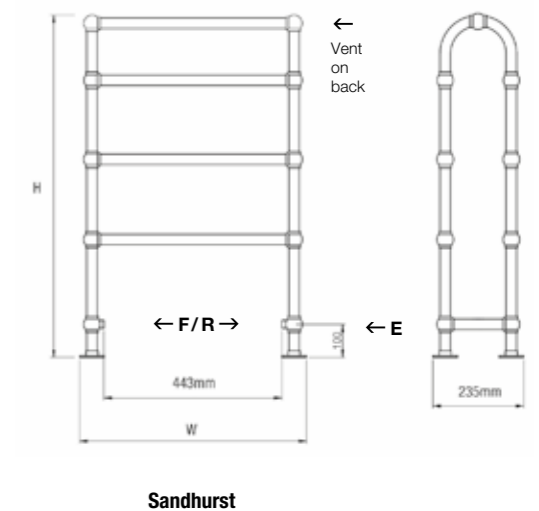
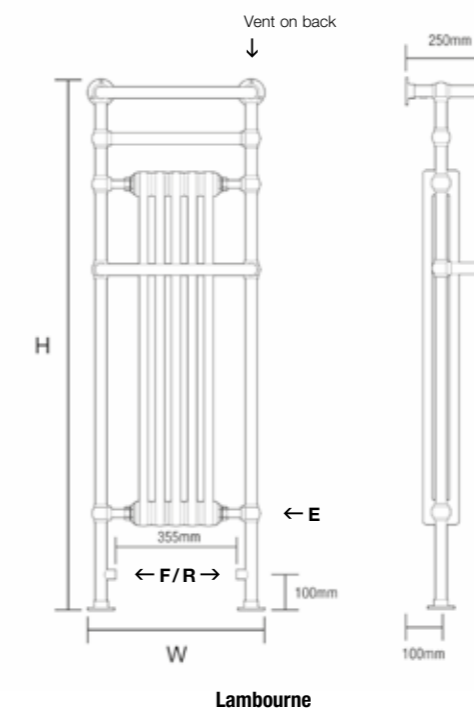
**TECHNICAL INFORMATION
STANDARD
CONNECTIONS 1/2"**

F = Flow **R** = Return
E = Element position

Tube Diameter = 31.8mm



Showing position of electric and dual fuel element



Model	Height (H) (mm)	Width (W) (mm)	Watts Δt 50°C	Btu's Δt 50°C	Electric Element Wattage	Chrome (inc VAT)	Weight (kgs)	Column Insert (Number of Sections)
LAMBOURNE								
Lambourne	1500	500	896	3057	500	£681.00	15	5
SANDHURST								
Sandhurst	850	600	483	1648	150 x 2	£708.00	16	-

* Next working day delivery

VALVES & ACCESSORIES
(Please see pages 138-148)

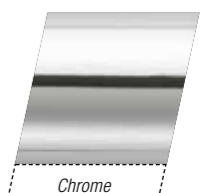
ADDITIONAL EXTRAS:

- LAMBOURNE ELECTRIC OPTION WITH ESSENTIAL ELEMENT + £114.00
- LAMBOURNE DUAL FUEL OPTION WITH ESSENTIAL ELEMENT + £66.00
- LAMBOURNE ELECTRIC OPTION WITH MEG THERMOSTATIC ELEMENT + £210.00
- LAMBOURNE DUAL FUEL OPTION WITH MEG THERMOSTATIC ELEMENT + £126.00

- SANDHURST ELECTRIC OPTION WITH ESSENTIAL ELEMENT + £228.00
- SANDHURST DUAL FUEL OPTION WITH ESSENTIAL ELEMENT + £132.00
- SANDHURST ELECTRIC OPTION WITH MEG THERMOSTATIC ELEMENT + £420.00
- SANDHURST DUAL FUEL OPTION WITH MEG THERMOSTATIC ELEMENT + £252.00

AVAILABLE IN THE FOLLOWING FINISH:

Column radiator
inserts are
White RAL 9016



ESSENTIAL

TRADITIONAL TOWEL RAILS



MATERIAL
• Brass (Mild Steel radiator inserts)



DELIVERY
• 4-5 weeks



5 YEAR GUARANTEE



FOR FITTING INSTRUCTIONS VISIT
www.dqheating.com



LUXURY

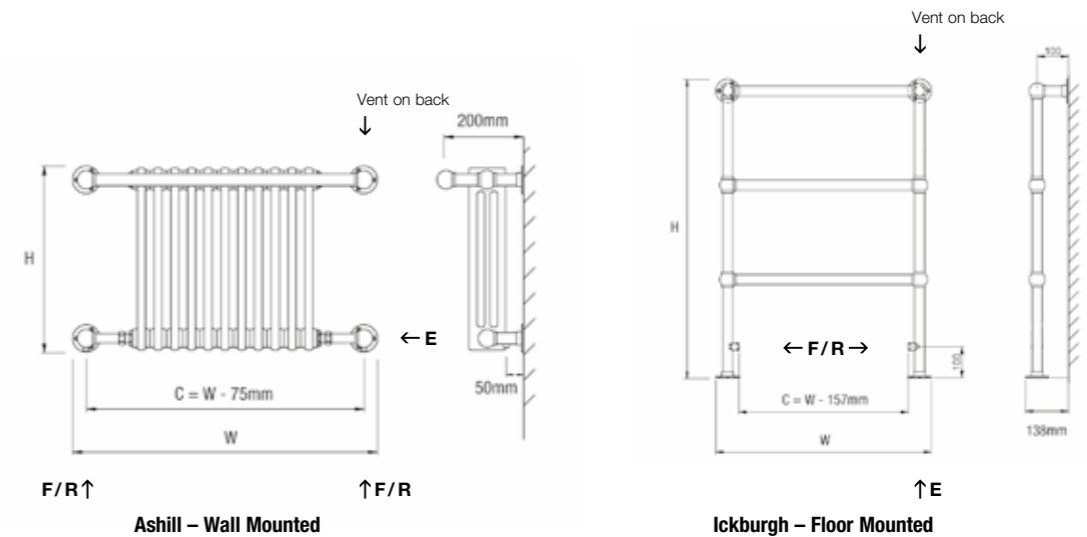
HANDMADE TRADITIONAL TOWEL RAILS

We are able to manufacture our handmade brass traditional towel rails in any size or shape. With a large number of products and finishes available as standard, we are confident we are able to offer a solution to your heating needs. If you cannot find what you need, why not send us a sketch to allow us to manufacture a bespoke towel rail especially for you - **E:** sales@dqheating.com - **T:** 01842 810833

TECHNICAL INFORMATION STANDARD CONNECTIONS 1/2"

F = Flow **R** = Return
E = Element position

Tube Diameter = 31.8mm



Model	Height (H) (mm)	Width (W) (mm)	Watts Δt 50°C	Btu's Δt 50°C	Electric Element Wattage	Chrome (inc VAT)	Polished Nickel Brushed Nickel Polished Brass (inc VAT)	Polished Gold Antique Brass (inc VAT)
ASHILL - WALL MOUNTED								
Ashill-1 W	505	500	645	2200	300	£812.00	£1,023.00	£1,346.00
Ashill-2 W	505	685	985	3370	450	£872.00	£1,074.00	£1,414.00
Ashill-3 W	505	837	1328	4531	450	£915.00	£1,137.00	£1,462.00
ICKBURGH - FLOOR MOUNTED								
Ickburgh-1	952	500	190	653	100	£869.00	£1,137.00	£1,391.00
Ickburgh-2	952	685	231	788	100	£872.00	£1,174.00	£1,410.00
Ickburgh-3	952	837	260	887	100	£898.00	£1,211.00	£1,458.00
Ickburgh-4	952	989	289	985	150	£926.00	£1,249.00	£1,503.00

* 4-5 weeks delivery

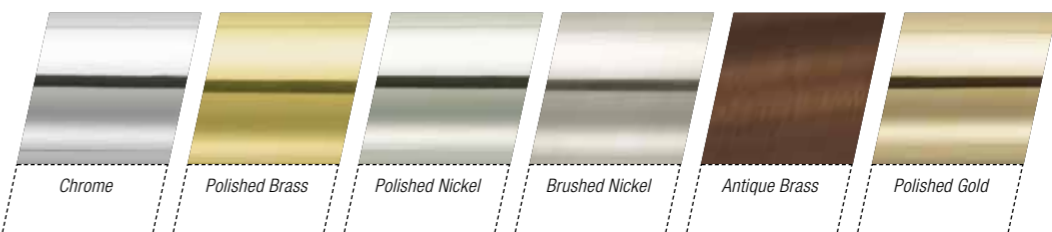
VALVES & ACCESSORIES
(Please see pages 138-148)

TRADITIONAL VERSIONS:

- ELECTRIC OPTION + £252.00
- COLOURED RADIATOR INSERT + £200.00
- DUAL FUEL OPTION + £205.00
- ELEMENT COVER + £168.00

AVAILABLE IN
THE FOLLOWING
FINISHES:

Column radiator
inserts are White
RAL 9016





Elveden

(Image shown: Floor mounted)



Methwold

(Image shown: Floor mounted)

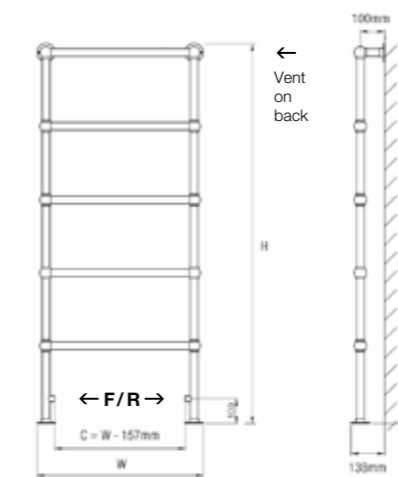
LUXURY

HANDMADE TRADITIONAL TOWEL RAILS

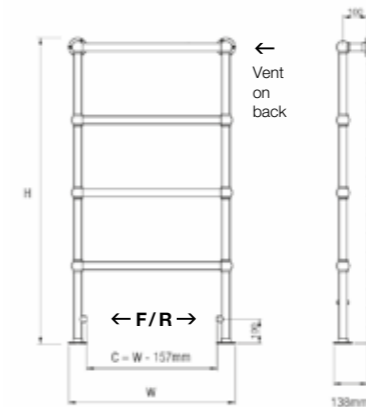
TECHNICAL INFORMATION
STANDARD CONNECTIONS 1/2"

F = Flow **R** = Return
E = Element position

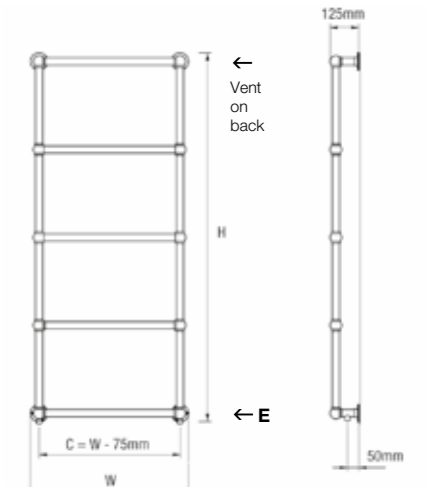
Tube Diameter = 31.8mm



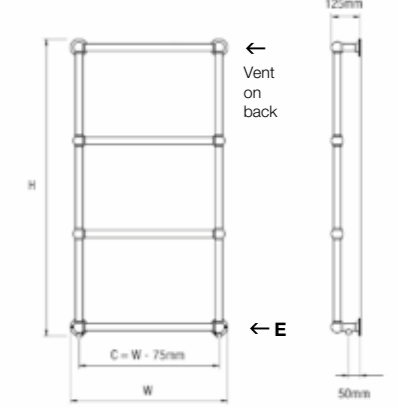
↑ E
Elveden – Floor Mounted



↑ E
Methwold – Floor Mounted



F/R ↑ ↑ F/R
Elveden – Wall Mounted



F/R ↑ ↑ F/R
Methwold – Wall Mounted

Model	Height (H) (mm)	Width (W) (mm)	Watts Δt 50°C	Btu's Δt 50°C	Electric Element Wattage	Chrome (inc VAT)	Polished Nickel Brushed Nickel Polished Brass (inc VAT)	Polished Gold Antique Brass (inc VAT)
ELVEDEN – FLOOR MOUNTED								
Elveden-1	1562	475	252	861	100	£1,365.00	£1,832.00	£2,057.00
Elveden-2	1562	685	305	1040	150	£1,440.00	£1,945.00	£2,150.00
Elveden-3	1562	837	343	1170	150	£1,552.00	£2,047.00	£2,274.00
ELVEDEN – WALL MOUNTED								
Elveden-1 W	1599	475	308	1050	100	£1,365.00	£1,832.00	£2,057.00
Elveden-2 W	1599	685	440	1501	150	£1,440.00	£1,945.00	£2,150.00
Elveden-3 W	1599	837	510	1740	150	£1,552.00	£2,047.00	£2,274.00
METHWOLD – FLOOR MOUNTED								
Methwold-1	1257	475	244	832	100	£1,122.00	£1,515.00	£1,776.00
Methwold-2	1257	685	255	870	150	£1,215.00	£1,645.00	£1,832.00
Methwold-3	1257	837	274	936	150	£1,309.00	£1,776.00	£1,982.00
METHWOLD – WALL MOUNTED								
Methwold-1 W	1294	475	245	835	100	£1,122.00	£1,515.00	£1,776.00
Methwold-2 W	1294	685	350	1195	150	£1,215.00	£1,645.00	£1,832.00
Methwold-3 W	1294	837	385	1313	150	£1,309.00	£1,776.00	£1,982.00

* 4-5 weeks delivery

VALVES & ACCESSORIES
(Please see pages 138-148)

TRADITIONAL VERSIONS:
• ELECTRIC OPTION + £252.00
• DUAL FUEL OPTION + £205.00
• ELEMENT COVER + £168.00



MATERIAL
• Brass (Mild Steel radiator inserts)



DELIVERY
• 4-5 weeks



5 YEAR GUARANTEE



FOR FITTING INSTRUCTIONS VISIT
www.dqheating.com



Lynford
(Image shown: Floor mounted)

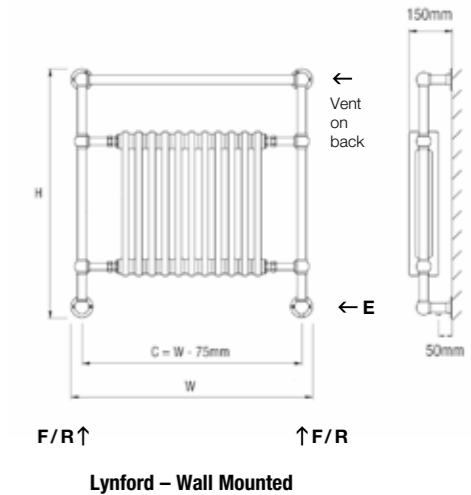
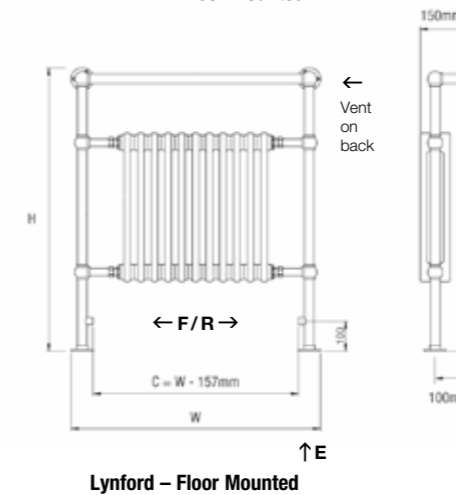
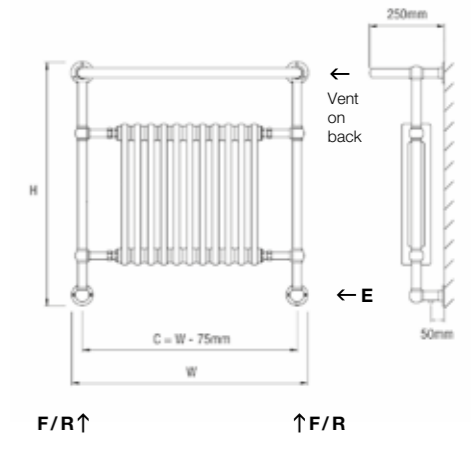
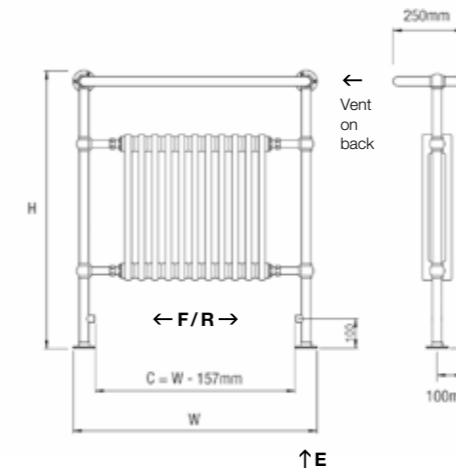


Croxton
(Image shown: Floor mounted)

TECHNICAL INFORMATION
STANDARD CONNECTIONS 1/2"

F = Flow R = Return
E = Element position

Tube Diameter = 31.8mm



Model	Height (H) (mm)	Width (W) (mm)	Watts Δt 50°C	Btu's Δt 50°C	Electric Element Wattage	Chrome (inc VAT)	Polished Nickel Brushed Nickel Polished Brass (inc VAT)	Polished Gold Antique Brass (inc VAT)
CROXTON – FLOOR MOUNTED								
Croxton-1	952	500	645	2200	300	£1,090.00	£1,308.00	£1,832.00
Croxton-2	952	685	985	3370	450	£1,183.00	£1,420.00	£1,941.00
Croxton-3	952	837	1328	4531	450	£1,328.00	£1,794.00	£2,079.00
Croxton-4	952	989	1666	6584	600	£1,683.00	£2,272.00	£2,337.00
CROXTON – WALL MOUNTED								
Croxton-1 W	789	500	645	2200	300	£1,090.00	£1,308.00	£1,832.00
Croxton-2 W	789	685	985	3370	450	£1,183.00	£1,420.00	£1,941.00
Croxton-3 W	789	837	1328	4531	450	£1,328.00	£1,794.00	£2,079.00
LYNFORD – FLOOR MOUNTED								
Lynford-1	952	500	645	2200	300	£982.00	£1,177.00	£1,447.00
Lynford-2	952	685	965	3292	450	£1,067.00	£1,300.00	£1,537.00
Lynford-3	952	837	1300	4435	450	£1,262.00	£1,704.00	£1,892.00
Lynford-4	952	989	1600	5459	600	£1,552.00	£2,096.00	£2,330.00
LYNFORD – WALL MOUNTED								
Lynford-1 W	789	500	645	2200	300	£982.00	£1,177.00	£1,447.00
Lynford-2 W	789	685	965	3292	450	£1,067.00	£1,300.00	£1,537.00
Lynford-3 W	789	837	1300	4435	450	£1,262.00	£1,704.00	£1,892.00

* 4-5 weeks delivery

VALVES & ACCESSORIES
(Please see pages 138-148)

TRADITIONAL VERSIONS:
• ELECTRIC OPTION + £252.00 • COLOURED RADIATOR INSERT + £200.00
• DUAL FUEL OPTION + £205.00 • ELEMENT COVER + £168.00

LUXURY

HANDMADE TRADITIONAL TOWEL RAILS



MATERIAL
• Brass



DELIVERY
• 4-5 weeks



5 YEAR GUARANTEE



FOR FITTING INSTRUCTIONS VISIT
www.dqheating.com



Hockwold



Hilborough



Cranwich
(Image shown: Floor mounted)

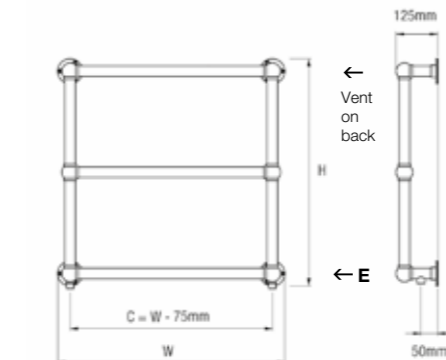
LUXURY

HANDMADE TRADITIONAL TOWEL RAILS

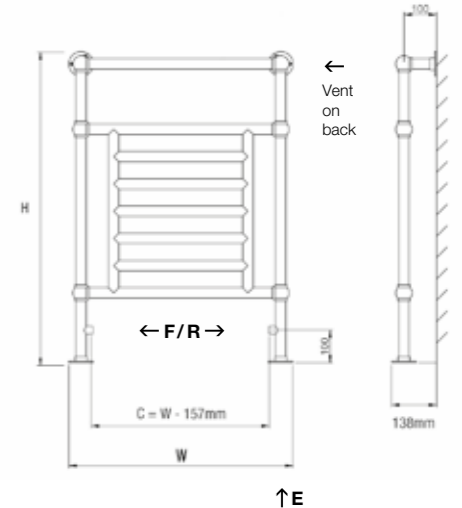
TECHNICAL INFORMATION
STANDARD CONNECTIONS 1/2"

F = Flow R = Return
E = Element position

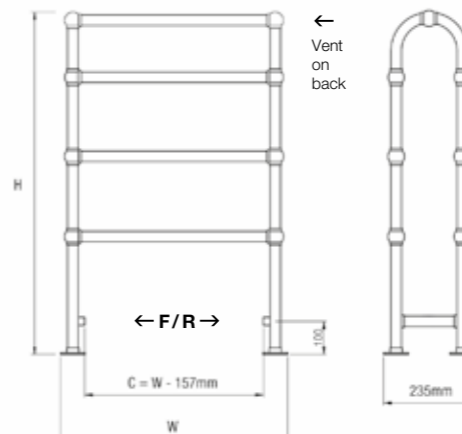
Tube Diameter = 31.8mm



Hockwold - Wall Mounted



Cranwich - Floor Mounted



Hilborough - Floor Mounted



Concealed element on dual fuel and electric floor standing towel rails.

Model	Height (H) (mm)	Width (W) (mm)	Watts Δt 50°C	Btu's Δt 50°C	Electric Element Wattage	Chrome (inc VAT)	Polished Nickel Brushed Nickel Polished Brass (inc VAT)	Polished Gold Antique Brass (inc VAT)
HOCKWOLD - WALL MOUNTED								
Hockwold-0 W	685	475	160	545	100	£876.00	£1,137.00	£1,328.00
Hockwold-1 W	685	685	174	593	100	£903.00	£1,174.00	£1,354.00
Hockwold-2 W	685	837	195	665	150	£931.00	£1,211.00	£1,384.00
Hockwold-3 W	685	989	217	740	150	£960.00	£1,249.00	£1,414.00
CRANWICH - FLOOR MOUNTED								
Cranwich-1	952	685	395	1347	100	£980.00	£1,290.00	£1,548.00
Cranwich-2	952	837	422	1439	150	£1,085.00	£1,458.00	£1,627.00
Cranwich-3	952	989	448	1528	150	£1,215.00	£1,627.00	£1,776.00
HILBOROUGH - FLOOR MOUNTED								
Hilborough-1	756	685	306	1044	2 x 100	£1,869.00	£2,399.00	£2,771.00
Hilborough-2	756	837	338	1153	2 x 100	£1,941.00	£2,511.00	£2,842.00
Hilborough-3	1028	685	416	1419	2 x 150	£2,181.00	£2,853.00	£3,201.00
Hilborough-4	1028	837	462	1576	2 x 150	£2,285.00	£2,978.00	£3,310.00

* 4-5 weeks delivery

VALVES & ACCESSORIES
(Please see pages 138-148)

TRADITIONAL VERSIONS:
• ELECTRIC OPTION + £252.00
• DUAL FUEL OPTION + £205.00

• ELECTRIC OPTION HILBOROUGH + £504.00
• DUEL FUEL OPTION HILBOROUGH + £410.00
• ELEMENT COVER + £168.00



MATERIAL
• Brass (Mild Steel radiator inserts)



DELIVERY
• 4-5 weeks



5 YEAR GUARANTEE



FOR FITTING INSTRUCTIONS VISIT
www.dqheating.com



Old Buckenham
(Image shown: Floor mounted)



Old Buckenham
(Image shown: Floor mounted)



Old Buckenham
(Image shown: Wall mounted)

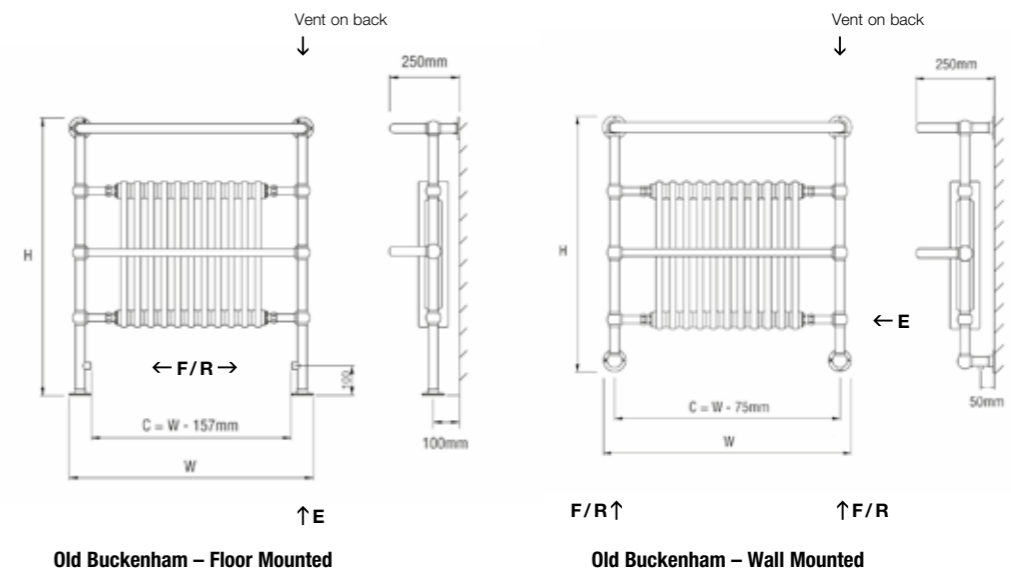
LUXURY

HANDMADE TRADITIONAL TOWEL RAILS

TECHNICAL INFORMATION
STANDARD CONNECTIONS 1/2"

F = Flow R = Return
E = Element position

Tube Diameter = 31.8mm



Model	Height (H) (mm)	Width (W) (mm)	Watts Δt 50°C	Btu's Δt 50°C	Electric Element Wattage	Chrome (inc VAT)	Polished Nickel Brushed Nickel Polished Brass (inc VAT)	Polished Gold Antique Brass (inc VAT)
FLOOR MOUNTED								
Old Buckenham-1	952	500	645	2200	300	£1,213.00	£1,528.00	£1,698.00
Old Buckenham-2	952	685	985	3370	450	£1,329.00	£1,653.00	£1,836.00
Old Buckenham-3	952	837	1328	4531	450	£1,515.00	£2,046.00	£2,274.00
Old Buckenham-4	952	989	1666	6584	600	£1,870.00	£2,524.00	£2,805.00
Old Buckenham-5	1496	500	1120	3822	450	£1,963.00	£2,651.00	£2,947.00
WALL MOUNTED								
Old Buckenham-1 W	789	500	645	2200	300	£1,131.00	£1,528.00	£1,698.00
Old Buckenham-2 W	789	685	985	3370	450	£1,225.00	£1,653.00	£1,836.00
Old Buckenham-3 W	789	837	1328	4531	450	£1,515.00	£2,046.00	£2,274.00

★ 4-5 weeks delivery

VALVES & ACCESSORIES
(Please see pages 138-148)

TRADITIONAL VERSIONS:
• ELECTRIC OPTION + £252.00 • COLOURED RADIATOR INSERT + £200.00
• DUAL FUEL OPTION + £205.00 • ELEMENT COVER + £168.00

ALL ELECTRIC & DUAL FUEL VERSIONS



ELECTRIC VERSION

To have your towel rail completely independent from your heating system, there is the electric option. The towel rail is filled with a mixture of water and glycol, before the installation of the heating element, which controls the temperature of the towel rail.

As standard, the Essential heating element is used for dual fuel and electric options. If you wish to use another element please state at time of order.

Essential elements are fitted on the right hand side as standard, all other elements are supplied separately.

All elements have a 2 year guarantee.

Electric only option for towel rails
(Essential element) + **£114.00** (inc VAT)

If you would like your electric only towel rail supplied with an alternative element, please add the price of the required element to a reduced rate of **£85.00**. For example: £85.00 plus the element of your choice.

(Except traditional collection where special prices apply on these models).

DUAL FUEL VERSION (Please add the price for the correct size element required)

All heating elements for dual fuel are supplied with a Tee piece

DQ's high quality dual fuel kits permit the use of your towel rail all year round. The towel rail is installed as normal but with the addition of a Tee piece; this allows installation of the electrical element, which enables you to run the towel rail independently or in conjunction with your heating system.

As standard the Essential heating element is used for dual fuel and electric options, if you wish to use another element please state at time of order.



WE CAN NOW SUPPLY DUAL FUEL & MIXED SETS OF OUR CONTEMPORARY VALVES FOR DUAL FUEL APPLICATIONS.

Essential element (IPX4 Rated)

Model	White (inc VAT)	Chrome (inc VAT)
100W	£66.00	£66.00
150W	£66.00	£66.00
300W	£66.00	£66.00
400W	£66.00	£66.00
500W	£66.00	£66.00
600W	£66.00	£66.00
900W	£66.00	£66.00

Please note: Minimum order value for accessories is £240 – A carriage charge will apply for any orders under this amount.



MEG thermostatic heating element (IPX4 Rated)
A digital thermostatic controller with 5 settings and frost protection.

ALL PRICES INCLUDE VAT

Model	White	Chrome	Silver	Matt Black
MEG 300W	£126.00	£126.00	£147.00	£147.00
MEG 600W	£126.00	£126.00	£147.00	£147.00
MEG 1000W	£126.00	£126.00	£147.00	£147.00



MOA IR thermostatic heating element with infrared remote control option (IPX5 Rated)
A digital thermostatic heating element with 5 settings that can be used remotely by purchasing an infrared controller. It is fitted with a 2 hour boost button, a 'switch off' timer and frost protection.

ALL PRICES INCLUDE VAT

Model	White	Chrome	Silver	Matt Black
MOA IR 300W	£147.00	£160.00	£160.00	£160.00
MOA IR 600W	£147.00	£160.00	£160.00	£160.00
MOA IR 1000W	£147.00	£160.00	£160.00	£160.00

Infrared 7 day programmable controller for MOA IR
White **£114.00** (inc VAT)



HGT horizontal thermostatic heating element (IPX4 Rated)
A horizontally mounted thermostatic element with 4 heat settings and frost protection, designed for column radiators.

ALL PRICES INCLUDE VAT

Model	White	Chrome	Satin Chrome	Anthracite	Steel	Satin Gold	Textured Light Grey	Textured Dark Grey	Matt Black
HGT 300W	£146.00	£152.00	£160.00	£160.00	£160.00	£160.00	£160.00	£160.00	£160.00
HGT 600W	£152.00	£160.00	£166.00	£166.00	£166.00	£166.00	£166.00	£166.00	£166.00
HGT 900W	£160.00	£166.00	£178.00	£178.00	£178.00	£178.00	£178.00	£178.00	£178.00
HGT 1200W	£166.00	£172.00	£178.00	£178.00	£178.00	£178.00	£178.00	£178.00	£178.00
HGT 1500W	£172.00	£178.00	£185.00	£185.00	£185.00	£185.00	£185.00	£185.00	£185.00
HGT 2000W	£178.00	£185.00	£191.00	£191.00	£191.00	£191.00	£191.00	£191.00	£191.00



GT vertical thermostatic heating element (IPX4 Rated)
An analogue thermostatic element with 4 heat settings and frost protection.

ALL PRICES INCLUDE VAT

Model	White	Chrome	Satin Chrome	Anthracite	Steel	Satin Gold	Textured Light Grey	Textured Dark Grey	Matt Black
GT 300W	£127.00	£140.00	£147.00	£147.00	£147.00	£147.00	£147.00	£147.00	£147.00
GT 600W	£127.00	£140.00	£147.00	£147.00	£147.00	£147.00	£147.00	£147.00	£147.00
GT 900W	£127.00	£140.00	£147.00	£147.00	£147.00	£147.00	£147.00	£147.00	£147.00
GT 1200W	£147.00	£160.00	£174.00	£174.00	£174.00	£174.00	£174.00	£174.00	£174.00
GT1500W	£147.00	£160.00	£174.00	£174.00	£174.00	£174.00	£174.00	£174.00	£174.00



* All items in bold – Next working day delivery

* All items not in bold – 2-3 weeks delivery

WI-FI HEATING ELEMENTS

Please note: Our new range of wi-fi elements are fully controllable via a downloadable app to give full functionality to enable you to program them as you wish (IPX4 rated).



SUPLA
Android & IOS app
available to download



H+ WIFI VERTICAL THERMOSTATIC ELEMENT

ALL PRICES INCLUDE VAT

Model	Length (mm)	White	Chrome	Satin Chrome	Anthracite	Steel	Satin Gold	Textured Light Grey	Textured Dark Grey	Matt Black
H+ 150W	300	£210.00	£210.00	£210.00	£210.00	£210.00	£210.00	£210.00	£210.00	£210.00
H+ 300W	340	£210.00	£210.00	£210.00	£210.00	£210.00	£210.00	£210.00	£210.00	£210.00
H+ 600W	390	£210.00	£210.00	£210.00	£210.00	£210.00	£210.00	£210.00	£210.00	£210.00
H+ 900W	440	£210.00	£210.00	£210.00	£210.00	£210.00	£210.00	£210.00	£210.00	£210.00
H+ 1200W	470	£210.00	£210.00	£210.00	£210.00	£210.00	£210.00	£210.00	£210.00	£210.00
H+ 1500W	520	£210.00	£210.00	£210.00	£210.00	£210.00	£210.00	£210.00	£210.00	£210.00
H+ 2000W	570	£210.00	£210.00	£210.00	£210.00	£210.00	£210.00	£210.00	£210.00	£210.00



* All items in bold – Next working day delivery * All items not in bold – 2-3 weeks delivery



SUPLA
Android & IOS app
available to download



H+H WIFI HORIZONTAL THERMOSTATIC ELEMENT

ALL PRICES INCLUDE VAT

Model	Length (mm)	White	Chrome	Satin Chrome	Anthracite	Steel	Satin Gold	Textured Light Grey	Textured Dark Grey	Matt Black
H+H 150W	300	£240.00	£240.00	£240.00	£240.00	£240.00	£240.00	£240.00	£240.00	£240.00
H+H 300W	340	£240.00	£240.00	£240.00	£240.00	£240.00	£240.00	£240.00	£240.00	£240.00
H+H 600W	390	£240.00	£240.00	£240.00	£240.00	£240.00	£240.00	£240.00	£240.00	£240.00
H+H 900W	440	£240.00	£240.00	£240.00	£240.00	£240.00	£240.00	£240.00	£240.00	£240.00
H+H 1200W	470	£240.00	£240.00	£240.00	£240.00	£240.00	£240.00	£240.00	£240.00	£240.00
H+H 1500W	520	£240.00	£240.00	£240.00	£240.00	£240.00	£240.00	£240.00	£240.00	£240.00
H+H 2000W	570	£240.00	£240.00	£240.00	£240.00	£240.00	£240.00	£240.00	£240.00	£240.00



Please note: Minimum order value for accessories is £240.00.

A carriage charge will apply for any orders under this amount ★ denotes finish shown

* All items in bold – Next working day delivery * All items not in bold – 2-3 weeks delivery

ESSENTIAL RADIATOR VALVES

Please note: Our thermostatic valves are not bi-directional and must be installed on the flow connection.

Essential Dual Fuel Valves

Versions: Dual Fuel



Essential Square Valves

Versions: Straight & Angled



Essential TRV Versions: Straight & Angled



Essential Corner TRV Versions: Corner Only



Essential Manual Valves Versions: Straight & Angled



Essential Corner Manual Valves

Versions: Corner Only



Black / Brass Manual Valves

Versions: Angled Only



Jupiter Manual Valves

Versions: Angled Only



* All items in bold – Next working day delivery * All items not in bold – 2-3 weeks delivery

LUXURY THERMOSTATIC RADIATOR VALVES

Please note: Our thermostatic valves are not bi-directional and must be installed on the flow connection.

Enzo Angled TRV Versions: Angled Only



All prices include VAT

Enzo Corner TRV Versions: Corner Only



All prices include VAT

Morgan TRV Versions: Angled Only



Please note: Minimum order value for accessories is £240.00.

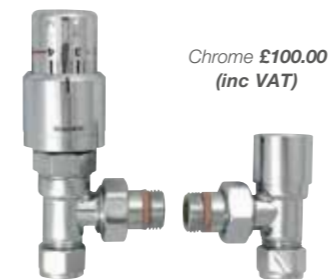
A carriage charge will apply for any orders under this amount ★ denotes finish shown

★ All items in bold – Next working day delivery ★ All items not in bold – 2-3 weeks delivery

Stanley TRV Versions: Angled Only



Pluto TRV Versions: Straight & Angled



Chrome £100.00 (inc VAT)

Triumph TRV Versions: Angled Only



Chrome £200.00
Satin chrome £214.00
★ Polished brass £200.00
Polished nickel £227.00
Brushed nickel £227.00
Black nickel £227.00
Antique brass £227.00
Antique copper £227.00
Gold £227.00
(All prices include VAT)

Contemporary TRV Versions: Straight & Angled

MIXED SETS AVAILABLE FOR DUAL FUEL



(All prices shown including VAT)

White £107.00
Chrome £107.00
Satin chrome £127.00
Matt black £147.00
Polished nickel £147.00
Brushed nickel £147.00
Black nickel £147.00
Antique brass £147.00
★ Antique copper £147.00
Gold £147.00

Twin Star TRV Versions: Left / Right Hand, Straight / Angled



(All prices shown including VAT)

White £134.00
★ Chrome £134.00
Satin chrome £147.00
Matt black £167.00
Brushed nickel £167.00
Black nickel £167.00
Antique brass £167.00
Antique copper £167.00
Gold £167.00

Contemporary Dual Fuel TRV Versions: Left & Right Hand



LEFT HAND VERSION SHOWN

ELEMENT NEEDS TO BE FITTED WITH TRV AND ON THE FLOW

White £187.00
Chrome £187.00
Satin chrome £214.00
★ Brushed nickel £214.00
Black nickel £214.00
Antique brass £227.00
Antique copper £227.00
Gold £227.00
Matt black £227.00
(All prices shown including VAT)

Saturn Corner TRV Versions: Left & Right Hand



(All prices shown including VAT)

White £174.00
Chrome £174.00
Satin chrome £214.00
Matt black £220.00
Polished nickel £220.00
Brushed nickel £220.00
Black nickel £220.00
★ Antique brass £220.00
★ Antique copper £220.00
Gold £220.00

LUXURY MANUAL RADIATOR VALVES

Please note: Minimum order value for accessories is £240.

A carriage charge will apply for any orders under this amount ★ denotes finish shown

★ All items in bold – Next working day delivery ★ All items not in bold – 2-3 weeks delivery

Enzo Angled Manual Valves Versions: Angled Only



Contemporary Dual Fuel Manual Valves Versions: Left & Right Hand



★ White £134.00
 Chrome £134.00
 RAL colours £160.00
 Satin chrome £160.00
 Brushed nickel £160.00
 Black nickel £160.00
 Antique brass £174.00
 Antique copper £174.00
 Gold £174.00
 (All prices shown including VAT)

Contemporary Manual Valves Versions: Straight & Angled



White £67.00
 Matt black £67.00
 RAL colours £67.00
 ★ Chrome £67.00
 ★ Satin chrome £87.00
 Polished nickel £87.00
 Brushed nickel £87.00

Black nickel £87.00
 Antique brass £87.00
 Antique copper £87.00
 Gold £87.00

(All prices shown including VAT)

Enzo Corner Manual Valves Versions: Corner Only



Saturn Corner Manual Valves Versions: Corner Only



White £134.00
 Chrome £134.00
 Satin chrome £154.00
 RAL colours £155.00
 Brushed nickel £167.00
 Black nickel £167.00
 ★ Antique brass £167.00
 Antique copper £167.00
 Gold £167.00
 (All prices shown including VAT)

Twin Star Manual Valves Versions: Straight & Angled



White £87.00
 ★ Chrome £87.00
 Satin chrome £93.00
 RAL colours £100.00
 Brushed nickel £100.00
 Black nickel £100.00
 Antique brass £100.00
 Antique copper £100.00
 Gold £100.00
 (All prices shown including VAT)

Cross Head Manual Valves Versions: Straight & Angled



★ Chrome £66.00
 Satin chrome £73.00
 Polished nickel £87.00
 Brushed nickel £87.00
 Black nickel £87.00
 Antique brass £87.00
 Antique copper £87.00
 ★ Gold £87.00

(All prices shown including VAT)

Abbey Manual Valves Versions: Angled Only



Aston Manual Valves Versions: Angled Only



★ Brass £47.00
 ★ Polished nickel £47.00
 Brushed nickel £47.00

3/4" version available in Brass & Chrome £87.00

(All prices shown including VAT)

ADDITIONAL ITEMS

Please note: Minimum order value for accessories is £240.00.

A carriage charge will apply for any orders under this amount

★ All items in bold – Next working day delivery

130mm Sleeving Kits

Chrome
£27.60



Polished
brass £33.60



Polished
nickel £33.60



Brushed
nickel £33.60



Black
nickel £33.60



Antique
brass £33.60



Antique
copper £33.60



Pewter
£33.60



Old English
brass £33.60



Brushed
copper £33.60



Polished
copper £33.60



All prices
include VAT

300mm Sleeving Kits

Chrome
£39.60
(inc VAT)



Brushed
nickel £46.80
(inc VAT)



Black
nickel £46.80
(inc VAT)



Tee Piece

Chrome £12.00
(inc VAT)



Flat Air Vent & Plug

Chrome £14.00
(inc VAT)



Aladdin Autovent

Polished nickel
£26.00 (inc VAT)



Bush

3/4in BSPT x 1/2in BSPP M / F Bush
Brass £14.00 (inc VAT)
Chrome £10.00 (inc VAT)



Electric Control

Electric Element Thermostatic
Control Unit (Max power output 800W)
White £93.00 (inc VAT)
Chrome £101.00 (inc VAT)



Reducer

15mm x 10mm Micro-bore Reducer
White £6.00 (inc VAT)
15mm x 8mm Micro-bore Reducer
White £6.00 (inc VAT)



Standard Wall Stay

250mm long
Chrome £14.40
(inc VAT)



Luxury Wall Stay 265mm long

Chrome
£39.60



Polished
brass £39.60



Polished
nickel £39.60



Brushed
nickel £39.60



Black
nickel £39.60



Antique
brass £39.60



Antique
copper £39.60



Pewter
£39.60



Old English
brass £39.60



Brushed
copper £39.60



Polished
copper £39.60



All prices
include VAT

Please note: Minimum order value for accessories is £240.00.

A carriage charge will apply for any orders under this amount. All items in bold – Next working day delivery

Radiator Valve Extension



Rigid
15mm **£12.00** / 20mm **£12.00**
30mm **£12.00** / 40mm **£12.00**
50mm **£12.00**
(inc VAT)



Telescopic
20-50mm **£20.40**
20-70mm **£20.40**
(inc VAT)

Towel Hanging Options



Vela TB
367mm / 488mm
Polished aluminium
£132.00 (inc VAT)



Cassius TB
200mm / 340mm / 480mm
White / Chrome / Anthracite
£57.60 (inc VAT)



Cove TB
295mm / 413mm
White / Chrome **£60.00 (inc VAT)**



Modus TB
322mm
(to fit 9 sections and above)
White / Chrome **£126 (inc VAT)**



Metro, Orion TB
400mm / 500mm / 600mm
White / Chrome **£60.00 (inc VAT)**



Delta TB
230mm Brushed **£55.00**
230mm Polished **£68.00**
410mm Brushed **£75.00**
410mm Polished **£95.00 (inc VAT)**



Grip Peg
White / Chrome
£24.00 (inc VAT)



VIP Hook
White / Chrome
£33.60 (inc VAT)



Fender shelf
Beech **£104.00**
Oak **£104.00**
Teak **£254.00 (inc VAT)**



Oakham shelf
Beech **£74.00**
Oak **£74.00**
Teak **£151.00 (inc VAT)**

RAL COLOURS

All colours shown are a gloss finish. We have over 300 colours available from stock, if the RAL colour you require is not included in this colour chart or you require a matt finish, please contact our sales office for availability.

1000 Green Beige	1001 Pale Beige	1013 Pearl White	1015 Light Ivory
1021 Cadmium Yellow	1023 Traffic Yellow	1036 Pearl Gold	2003 Pastel Orange
2004 Pure Orange	2008 Light Red Orange	3000 Flame Red	3001 Signal Red
3002 Carmine Red	3003 Ruby Red	3004 Purple Red	3005 Wine Red
5001 Green Blue	5002 Ultramarine Blue	5003 Dark Sapphire Blue	5005 Signal Blue
5010 Gentian Blue	5015 Middle Sky Blue	6005 Light Moss Green	6009 Fir Green
6029 Mint Green	7015 Slate Grey	7016 Anthracite Grey	7030 Stone Grey
7032 Grey	7035 Pale Grey	7040 Window Grey	7042 Traffic Grey A
8003 Clay Brown	8017 Chocolate Brown	8019 Grey Brown	9001 Cream
9002 Grey White	9003 Signal White	9005 Jet Black	9006 White Aluminium
9007 Grey Aluminium	9010 Pure White	9016 Traffic White	MATT RAL We can offer matt RAL finishes in any colour

PLEASE NOTE – For technical reasons paint colours may not match exactly to the samples above and should be used for illustrative purposes only.

FINISHES

SPECIAL FINISHING



F06 Metal Rough Black / Black Metal



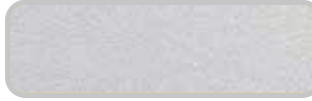
F15 Metal Sparkling Black



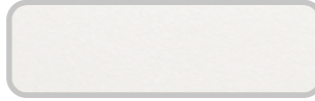
F04 Dark Grey Texture



F03 Metal Anthracite



F07 Silver Effect



F20 Milky 9010



F14 Old Bronze effect / Dark Bronze



F23 Twilight



F24 Blue Chill



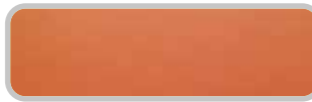
F25 Sandstone



F26 Rose Gold



F27 Bronze



F28 Copper



F29 Black Sparkle



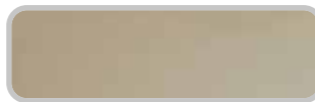
F30 Matt Black



F31 Gun Metal



F32 Sable



F33 Platinum 7048

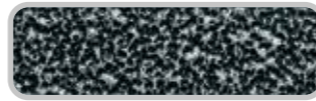
MELANGE



M01 Historic Gold



M02 Historic Copper



M04 Historic Silver

WAVY



W01 Night



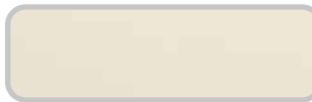
W02 Carbon



W03 Smoke

W04 Snowflake

FINE TEXTURE



FT 1013 Beige



FT 9016 White



FT 7016 Anthracite

LACQUERED FINISHES

As indicated on products



Black Nickel Lacquer



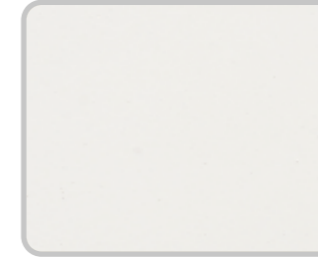
Copper Lacquer



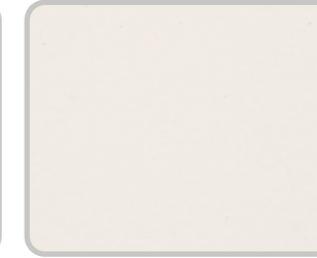
Red Translucent Lacquer

DQ CAST IRON FINISHES

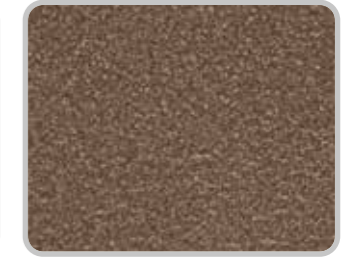
STANDARD FINISHES



9010 Bright White



9001 Edwardian Cream



Hammered Bronze



Victorian Foundry Grey



7016 Anthracite Grey



9011 Graphite Black

LACQUERED HIGHLIGHTS / SATIN POLISHED



Lacquered Highlight Polished



Lacquered Satin Polished

PREMIUM FINISHES



Black Nickel



Brass



Copper



Gold



Polished



Rose Gold

PLEASE NOTE – All lacquered & premium finishes are only polished on one side as standard.

Casting is not an exact science and during the manufacturing process slight variations and imperfections can occur. In the case of radiators, the manufacturing process can leave some of the edges feeling rough. It is quite often this rough texture and appearance that makes the cast iron radiator such a period feature.

Interpretation

These Terms and Conditions apply to Double Quick (Heating) Ltd (company number 3853486) whose principal place of business is at Units 3 & 4, St Helens House, St Helens Way, Thetford, Norfolk IP24 1HG;

"Goods" means the goods which we supply in accordance with these Conditions;

"Stock Item" shall mean those goods which are part of our normal and/or standard range;

"Special Items" shall mean those products which are not Stock Items.

We reserve the right to amend these conditions from time to time.

Each separate order will be viewed as a new 'contract', and you will be subject to the terms in force at the time of placing the order.

Basis of Sale

These Conditions shall apply to all sales by us, and any variation to these conditions shall have no effect unless expressly agreed in writing between us and yourselves.

Any typographical, clerical or other error or omission in any sales literature, quotation, price list, acceptance of offer, invoice or other document or information, issued by us shall be subject to correction without any liability on our behalf.

For the avoidance of doubt, this contract does not transfer any intellectual Property Rights owned by us to you.

All orders are subject to acceptance and availability. If the goods you have ordered are not available from stock or are not standard stock items, we will contact you to arrange a suitable delivery time.

Orders and Specifications

You shall be responsible for ensuring the accuracy of the terms of any order (including any applicable specification) submitted by you, giving us any necessary information relating to the goods within a sufficient time

to enable us to deliver the order in accordance with its terms.

The quantity and description of and any specifications for the goods shall be those set out in our quotation or confirmation of your order.

All technical data, measurements and outputs are in accordance with the manufacturer's terms of reference at the time of going to press. Each manufacturer reserves their rights to change, alter or discontinue products (including brackets and fixtures) as illustrated within our catalogue. You are advised to confirm at the time of ordering that the published technical data in our brochure and the enclosed price list is still valid. Please note that white radiators ordered from different colour codes may vary slightly due to manufacturing tolerances. It should also be noted that some colours may also vary slightly from colour chips or RAL charts provided.

Cancellation or Variation of Orders

Whether the goods are Stock Items or Special Items shall be solely determined by us.

No cancellation or alteration to orders for Stock Items will be accepted after the date of the order being placed and accepted without written agreement. Thereafter any such cancellation or change will be accepted at our discretion. Where cancellation or alteration of orders is accepted by us, you may be required to pay a restocking charge, to cover administrative costs and collection costs (if applicable); such charges to be determined by us.

You have no right to cancel or change any order for Special or non stock items, after the date of the order being accepted. In the event of such cancellations being accepted, there may be a re-stocking charge

of up to 50% to cover our expenses.

We reserve the right to suspend or cancel an order, by written notice if: you fail to pay us any money when due (under the order or otherwise); you become insolvent; you fail to honour your obligations under these terms.

Prices

The price of the goods shall be our quoted price or, where no price has been quoted, the price listed in our published price list current at the date of acceptance of the order, minus the requisite discount terms.

The price is inclusive of any applicable Value Added Tax which shall be payable in addition by you at the rate prevailing at the time of payment.

We reserve the right, by giving notice to you at any time before delivery, to increase the price of the goods to reflect any increase in the cost to you.

While we try to ensure that all prices quoted are accurate, errors may occur. Wherever it is not possible to accept your order to buy goods of the specification and description at the price indicated, we will advise you

by email / phone and give you the option of purchasing the goods at the correct price stated or cancelling the order.

Terms of Payment

Except where expressly agreed in writing you will be required to pay 100% of the price of the goods minus the agreed discount.

In default of payment by you, we shall be at liberty to suspend further deliveries until payment is made.

We reserve the right to withdraw or reduce any credit facilities which may have previously been available to you.

No payment shall be deemed to have been received until we have received cleared funds.

If you have an approved credit account, payment is due no later than 30 days following the end of the month in which the goods are delivered, unless otherwise agreed in writing.

You can request a pro-forma invoice to make payment. Please call our sales department for further details.

We reserve the right to place an account on hold due to non payments, or to move account holders onto pro-forma terms.

Delivery

Whilst every effort is made to deliver goods on the dates or within the periods mentioned on the order, such dates or periods shall be deemed to be an estimate only and we accept no liability whatsoever for any loss

or damage of any nature which may be suffered by your selves as a result of any failure on our behalf to deliver goods on or within the times, dates or periods mentioned in the order.

The goods may be delivered by us in advance of the quoted delivery date upon giving reasonable notice to you.

Where goods are to be delivered in instalments, each delivery may constitute a separate order and failure by us to deliver any one or more of the instalments in accordance with these Conditions, or any claim by you

in respect of any one or more of the instalments, shall not entitle you to treat the order as a whole as cancelled.

Each instalment may be treated as a separate order and we may charge delivery accordingly.

We shall not be liable for any non-delivery of goods (even if caused by our negligence) unless you give written notice to us of the non-delivery within 3 days of the date when the goods would in the ordinary course

of events have been received. Any liability by us for non-delivery of the goods shall be limited to replacing the goods within a reasonable time or issuing a credit note against any invoice raised for such goods.

If for any reason you fail to accept delivery of any of the goods, or we are unable to deliver the goods on time because you have not provided appropriate instructions, documents, licences or authorisations:

The risk in the goods shall pass to you (including for loss or damage);

The goods shall be deemed to have been delivered; and

We may store the goods until delivery, whereupon you shall be liable for all related costs and expenses (including, without limitation, storage and insurance).

Delivery will take place to the delivery address as specified by you at the time of order, unless otherwise expressly agreed in writing.

Our delivery agent or designated delivery company shall not deliver beyond the nearest accessible external hard standing area.

If the delivery agent enters the recipient's property to deliver whether or not at your request, then this constitutes a separate arrangement between the recipient and the deliverer, and we shall not be party to any such

arrangement. In these circumstances we shall not be liable for any loss, damage or other liability whatsoever or howsoever suffered or incurred as a direct or indirect result of the relevant delivery company entering property.

A charge will only be made for delivery in accordance with our current price list, unless otherwise agreed by us and you, for accessories with a total list price of below £250.

The receiver must sign for delivery, and once such proof of delivery is so signed, the goods will be deemed to have been accepted by or on behalf of your selves. It shall be the recipient's responsibility to check,

before signing for delivery, that the correct quantity of goods has been delivered and that the packaging has not been damaged. Qualifications in signature relating to the lack of examination ("unexamined" etc) cannot

be accepted by us in the event of subsequent claims being made.

You must immediately inspect the goods and notify us of any damage to the goods within 3 days of delivery. We shall have no obligation to replace or repair damaged goods in the event of failure by the Buyer

to comply with this provision.

We will accept no responsibility in respect of goods claimed to have been lost or damaged in transit where delivery is otherwise than by us.

In the case of goods being sent by post, we will accept no responsibility in respect of goods claimed to have been lost or damaged unless a written complaint is received by both the Post Office and us within 7 days

of the date of dispatch.

Please note that many of our European Suppliers shut down during the summer and Christmas periods for 4 & 2 weeks respectively. This can add to prospective delivery times, especially for non-stock items,

and is out of our control.

We may decline to deliver if: we believe that it would be unsafe, unlawful or unreasonably difficult to do so; or the premises (or the access to them) are unsuitable for our vehicle or delivery agent.

For deliveries to the Isle of Wight, the Isle of Man, the Scottish Isles, parts of Scotland, Northern Ireland and the Channel Isles you may be required to pay extra for delivery.

Property Ownership and Risk

The risk in the goods shall pass to you upon delivery. Full ownership will be transferred once payment is received.

Returns

Damaged goods being returned will only be collected from your delivery address, unless otherwise agreed in writing. Any other goods, which we accept back, are to be returned by you to our place of business

at your expense.

Items will be accepted as a return which have not been installed or damaged after delivery.

Goods should be returned in their original packaging, provided such packaging and goods are undamaged.

We may issue a credit note for goods which we accept as returned.

We may agree to provide you with replacement goods prior to collecting or receiving back the goods to be returned (whether faulty, damaged or otherwise) but only on the condition that: the replacement goods are paid for

in full and we reserve the right to re-invoice you in the event that the returned goods are found to be in a worse condition than when they were originally received by you or where such goods have not been received back to

us within 3 months of the replacement goods being received by yourselves.

A re-stocking charge of 30% will be applied to all non-faulty stock items that wish to be returned. Special order and non-stock products cannot be cancelled. Where cancellation or alteration of orders is accepted by us,

you may be required to pay a restocking charge, to cover administrative costs and collection costs (if applicable); such charges to be determined by us.

If the goods we deliver are faulty or damaged, we will meet the cost of the return, as long as the fault is reported to us within 3 working days.

Installation

The goods will be deemed to have been accepted when they have been delivered and we may not accept claims for any visible defects found after installation.

We accept no liability for any cost incurred relating to the cost of installation.

We shall not be liable for any plumber's costs, decorator's costs, transport costs, late penalties, or any other costs, as a direct or indirect result of (i) any defect in the goods (including but not limited to any manufacturing

faults, such as leaks, that become apparent on or after installation) or (ii) late delivery of the goods.

YOU ARE ADVISED NOT TO BOOK AN INSTALLER OR CONTRACTOR UNTIL YOUR GOODS HAVE ARRIVED AND HAVE BEEN CHECKED.

Please do not install any goods that appear damaged.

Insolvency of the buyer

If you make any voluntary arrangement with your creditors or become subject to an administration order or become bankrupt or go into or an administrator takes possession, or a receiver is appointed to any of your proper-

ties or assets, or you cease, or threaten to cease trading, or we reasonably believe that any of these events is about to take place, we shall be entitled to cancel or suspend any further deliveries to you.

Warranties

We warrant that the goods will correspond with their specification at the time of delivery and will be free from defects in detail and workmanship either at the time of.

No liability will be accepted for minor variations between the colour chart and/or colour samples and the actual finish of the goods;

We shall be under no liability in respect of any defect in the goods arising from any drawing design or specification supplied to us.

We shall be under no liability in respect of any defect arising from fair wear and tear, wilful damage, negligence, abnormal working condition, failure to follow the installation instructions

(whether oral or written), misuse or alteration or repair of the goods.

Notices

Unless otherwise expressly stated in these terms and conditions, all notices from you to us must be in writing, fax, or email and sent to our contact address given above and all notices

from us to will be in writing, fax or e-mail.

Changes to legal notices

We reserve the right to change these terms and conditions from time to time.

Law, jurisdiction and language

The conditions therein and any contract brought into being as a result of usage of our brochure / website are governed by and construed in accordance with English law.

Parties to any such contract agree to submit to the exclusive jurisdiction of the courts of England and Wales. All contracts are concluded in English.

Back cover image:

Austen shown in Brushed Brass with

Essential Angled Valves in Brushed Nickel

Inside back cover image:

Denali Shown in Black Nickel with

Essential Corner TRV in Black Nickel





Double Quick (Heating) Ltd

Units 3 & 4, St Helens House, St Helens Way,
Thetford, Norfolk IP24 1HG

T: 01842 810833 **F:** 01842 814751

E: sales@dqheating.com www.dqheating.com

